



C 162

Stereo Preamplifier



Owner's Manual
Manuel d'Installation
Bedienungsanleitung
Gebruikershandleiding
Manual del Usuario
Manuale delle Istruzioni
Manual do Proprietário
Bruksanvisning

ENGLISH

FRANÇAIS

DEUTSCH

NEDERLANDS

ESPAÑOL

ITALIANO

PORTUGUÊS

SVENSKA

IMPORTANT SAFETY INSTRUCTIONS



CAUTION
RISK OF ELECTRIC SHOCK DO NOT OPEN

ATTENTION:
RISQUE DE CHOC ELECTRIQUE NE PAS OUVRIR



CAUTION: TO REDUCE THE RISK OF ELECTRIC SHOCK, DO NOT REMOVE COVER (OR BACK). NO USER SERVICEABLE PARTS INSIDE. REFER SERVICING TO QUALIFIED SERVICE PERSONNEL.

Warning: To reduce the risk of fire or electric shock, do not expose this unit to rain or moisture.



The lightning flash with an arrowhead symbol within an equilateral triangle, is intended to alert the user to the presence of uninsulated "dangerous voltage" within the product's enclosure that may be of sufficient magnitude to constitute a risk of electric shock to persons.



The exclamation point within an equilateral triangle is intended to alert the user to the presence of important operating and maintenance (servicing) instructions in the literature accompanying the product.



Do not place this unit on an unstable cart, stand or tripod, bracket or table. The unit may fall, causing serious injury to a child or adult and serious damage to the unit. Use only with a cart, stand, tripod, bracket or table recommended by the manufacturer or sold with the unit. Any mounting of the device on a wall or ceiling should follow the manufacturer's instructions and should use a mounting accessory recommended by the manufacturer.

An appliance and cart combination should be moved with care. Quick stops, excessive force and uneven surfaces may cause the appliance and cart combination to overturn.

Read and follow all the safety and operating instructions before connecting or using this unit. Retain this notice and the owner's manual for future reference.

All warnings on the unit and in its operating instructions should be adhered to.

Do not use this unit near water; for example, near a bath tub, washbowl, kitchen sink, laundry tub, in a wet basement or near a swimming pool.

The unit should be installed so that its location or position does not interfere with its proper ventilation. For example, it should not be situated on a bed, sofa, rug or similar surface that may block the ventilation openings; or placed in a built-in installation, such as a bookcase or cabinet, that may impede the flow of air through its ventilation openings.

The unit should be situated from heat sources such as radiators, heat registers, stoves or other devices (including amplifiers) that produce heat.

The unit should be connected to a power supply outlet only of the voltage and frequency marked on its rear panel.

The power supply cord should be routed so that it is not likely to be walked on or pinched, especially near the plug, convenience receptacles, or where the cord exits from the unit.

Unplug the unit from the wall outlet before cleaning. Never use benzine, thinner or other solvents for cleaning. Use only a soft damp cloth.

The power supply cord of the unit should be unplugged from the wall outlet when it is to be unused for a long period of time.

Care should be taken so that objects do not fall, and liquids are not spilled into the enclosure through any openings.

This unit should be serviced by qualified service personnel when:

- The power cord or the plug has been damaged; or
- Objects have fallen, or liquid has been spilled into the unit; or
- The unit has been exposed to rain or liquids of any kind; or
- The unit does not appear to operate normally or exhibits a marked change in performance; or
- The device has been dropped or the enclosure damaged.

DO NOT ATTEMPT SERVICING OF THIS UNIT YOURSELF. REFER SERVICING TO QUALIFIED SERVICE PERSONNEL

Upon completion of any servicing or repairs, request the service shop's assurance that only Factory Authorized Replacement Parts with the same characteristics as the original parts have been used, and that the routine safety checks have been performed to guarantee that the equipment is in safe operating condition. REPLACEMENT WITH UNAUTHORIZED PARTS MAY RESULT IN FIRE, ELECTRIC SHOCK OR OTHER HAZARDS.

ATTENTION

POUR ÉVITER LES CHOC ÉLECTRIQUES, INTRODUIRE LA LAME LA PLUS LARGE DE LA FICHE DANS LA BORNE CORRESPONDANTE DE LA PRISE ET POUSSER JUSQU'AU FOND.

CAUTION

TO PREVENT ELECTRIC SHOCK, MATCH WIDE BLADE OF PLUG TO WIDE SLOT FULLY INSERT.

If an indoor antenna is used (either built into the set or installed separately), never allow any part of the antenna to touch the metal parts of other electrical appliances such as a lamp, TV set etc.

CAUTION POWER LINES

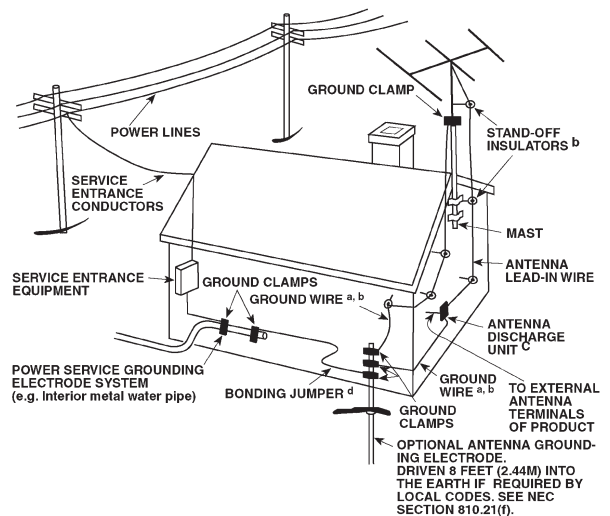
Any outdoor antenna must be located away from all power lines.

OUTDOOR ANTENNA GROUNDING

If an outside antenna is connected to your tuner or tuner-preamplifier, be sure the antenna system is grounded so as to provide some protection against voltage surges and built-up static charges. Article 810 of the National Electrical Code, ANSI/NFPA No. 70-1984, provides information with respect to proper grounding of the mast and supporting structure, grounding of the lead-in wire to an antenna discharge unit, size of grounding conductors, location of antenna discharge unit, connection to grounding electrodes and requirements for the grounding electrode.

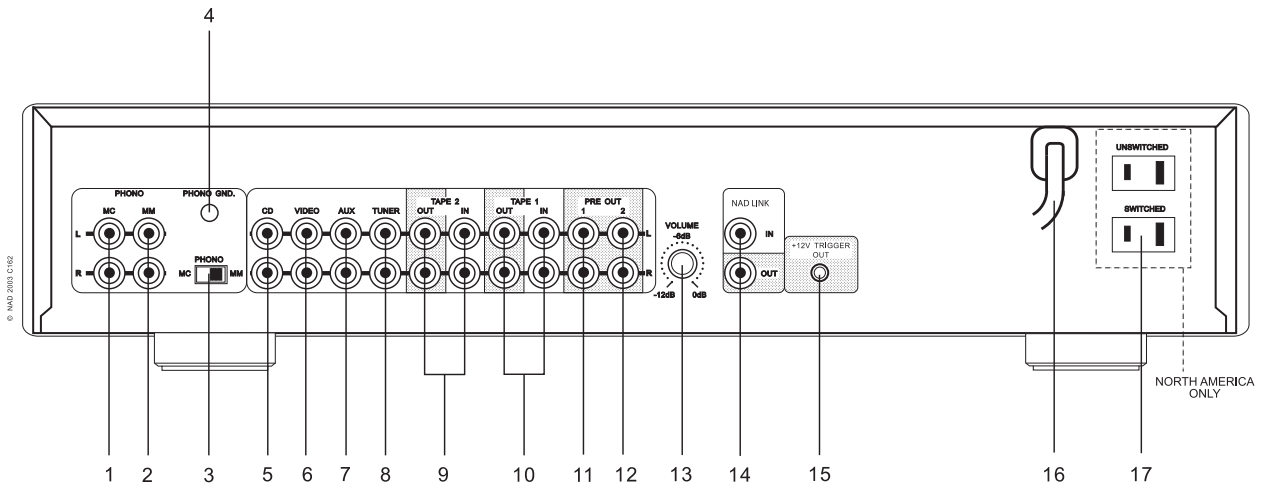
- Use No. 10 AWG (5.3mm²) copper, No. 8 AWG (8.4mm²) aluminium, No. 17 AWG (1.0mm²) copper-clad steel or bronze wire, or larger, as a ground wire.
- Secure antenna lead-in and ground wires to house with stand-off insulators spaced from 4-6 feet (1.22 - 1.83 m) apart.
- Mount antenna discharge unit as close as possible to where lead-in enters house.
- Use jumper wire not smaller than No.6 AWG (13.3mm²) copper, or the equivalent, when a separate antenna-grounding electrode is used. see NEC Section 810-21 (j).

EXAMPLE OF ANTENNA GROUNDING AS PER NATIONAL ELECTRICAL CODE INSTRUCTIONS CONTAINED IN ARTICLE 810 - RADIO AND TELEVISION EQUIPMENT.

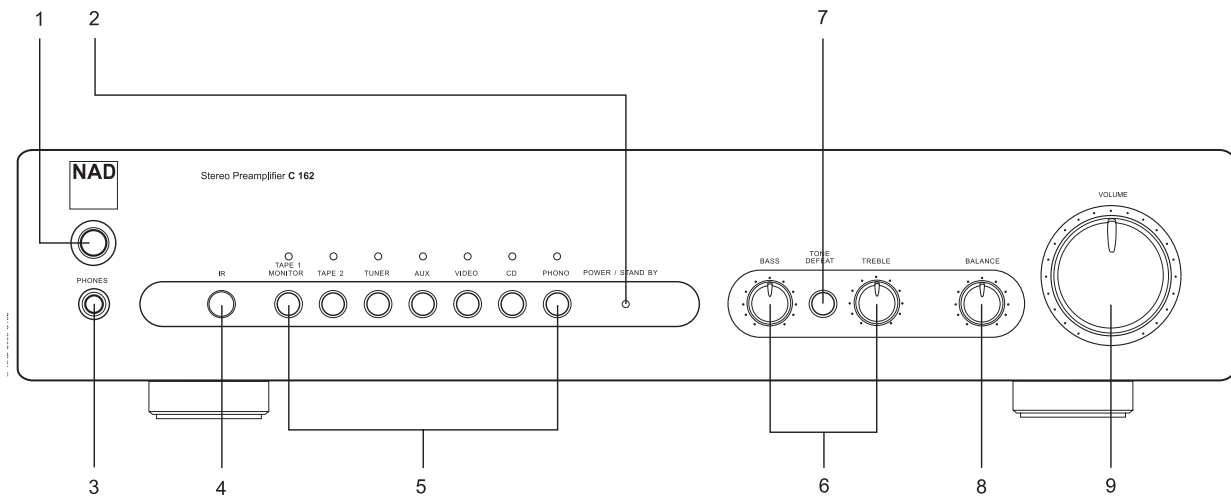


NOTE TO CATV SYSTEM INSTALLER: This reminder is provided to call the CATV system installer's attention to Article 820-40 of the National Electrical Code that provides guidelines for proper grounding and, in particular, specifies that the ground cable ground shall be connected to the grounding system of the building, as close to the point of cable entry as practical.

REAR PANEL CONNECTIONS



FRONT PANEL CONTROLS



NOTES ON INSTALLATION

Your NAD C 162 should be placed on a firm, level surface. Avoid placing the unit in direct sunlight or near sources of heat and damp. Allow adequate ventilation. Do not place the unit on a soft surface like a carpet. Do not place or it in an enclosed position such a bookcase or cabinet that may impede the air-flow through the ventilation slots. Make sure the unit and other components of your system are switched off before making any connections.

The RCA sockets on your NAD C 162 are colour coded for convenience. Red and white are Right and Left audio respectively, and yellow for NAD Link.

Use high quality leads and sockets for optimum performance and reliability. Ensure that leads and sockets are not damaged in any way and all sockets are firmly pushed home.

If the unit is not going to be used for some time, disconnect the plug from the AC socket.

Should water get into your NAD C 162, shut off the power to the unit and remove the plug from the AC socket. Have the unit inspected by a qualified service technician before attempting to use it again. Do not remove the cover, there are no user-serviceable parts inside. Use a dry soft cloth to clean the unit. If necessary, lightly dampen the cloth with soapy water. Do not use solutions containing benzol or other volatile agents.

REAR PANEL CONNECTIONS**1. MC INPUT**

Input for a Moving Coil phono cartridge. Connect the twin RCA lead from your turntable to this input if you are using a Moving Coil cartridge.

2. MM INPUT

Input for a Moving Magnet phono cartridge. Connect the twin RCA lead from your turntable to this input if you are using a Moving Magnet cartridge.

3. MC-MM SWITCH

Use this switch to select the phono input you are using.

4. PHONO GROUND CONNECTOR

Often, the twin RCA leads from turntables also includes a single wire earth lead. Use the NAD C 162 phono ground connector to connect this lead. Unscrew the terminal to expose the hole, which will accept the lead. After insertion, tighten the terminal to secure the lead.

5. CD INPUT

Input for a CD or other line-level signal source. Use a twin RCA-to-RCA lead to connect the CD player's left and right 'Audio Outputs' to this input. The NAD C 162 only accepts analogue signals from your CD player.

6. VIDEO INPUT

Input for the audio signal from a stereo VCR (or stereo TV/Satellite/Cable receiver) or other line-level audio source. Using twin RCA-to-RCA leads, connect to the left and right 'Audio Out' of the unit to these inputs. Note: These are audio inputs only.

7. AUX INPUT

Input for additional line level input signals such as another CD player. Use a twin RCA-to-RCA lead to connect the auxiliary unit's left and right 'Audio Outputs' to this input.

8. TUNER INPUT

Input for a Tuner or other line-level signal source. Use a twin RCA-to-RCA lead to connect the Tuner left and right 'Audio Outputs' to this input.

9. TAPE 2 IN, OUT

Connections for analogue recording and playback to an audio tape recorder of any type. Using twin RCA-to-RCA leads, connect to the left and right 'Audio Output' of the tape machine to the TAPE 2 IN sockets for playback and tape monitoring. Connect the left and right 'Audio Input' of the tape machine to the TAPE 2 OUT sockets for recording.

10. TAPE 1 IN, OUT

Connections for analogue recording and playback to a secondary audio tape recorder of any type. Using twin RCA-to-RCA leads, connect to the left and right 'Audio Output' of the tape machine to the TAPE 1 IN sockets for playback and tape monitoring. Connect the left and right 'Audio Input' of the tape machine to the TAPE 1OUT sockets for recording.

11. PRE OUT 1

The NAD C 162 allows for the connection multiple power amplifiers. If you are using a single stereo power amplifier, use the PRE OUT 1 sockets.

If you are using a pair of power amplifiers specifically for Bi-amping, use the sockets to connect the power amplifier with the lowest gain of the pair. Refer also to chapter "Bi-amping" for more information.

Use a twin RCA-to-RCA lead to connect to the left and right 'Audio Input' of the Power amp to the PRE OUT 1 sockets.

12. PRE OUT 2

The PRE OUT 2 sockets can be used to drive an additional power amplifier. The VOLUME PRE OUT 2 control (13) can be used to reduce the output level of the pre-amplifier to the power amplifier by up to -12dB. With the VOLUME PRE OUT 2 control set to the maximum position (at the 0dB position), the output level will be identical to that of the PRE OUT 1 sockets.

If you are using a pair of power amplifiers specifically for Bi-amping, use the PRE OUT 2 sockets to connect the power amplifier with the highest gain of the pair. By adjusting the VOLUME PRE OUT 2 control (13) the volume level can be matched exactly to that of the power amplifier connected to the PRE OUT 1 sockets. Refer also to chapter "Bi-amping" for more information.

Use a twin RCA-to-RCA lead to connect to the left and right 'Audio Input' of the Power amp to the PRE OUT 1 sockets.

13. VOLUME PRE OUT 2

The VOLUME Pre Out 2 control allows for adjustment of the output level of the PRE OUT 2 sockets. The output level can be reduced by up to 12dB; when set to the maximum position (at the 0dB position), the output level will be identical to that of the PRE OUT 1 sockets. Refer also to chapter "Bi-amping" for more information.

NOTE

Always turn the pre-amplifier and associated power amplifiers off before connecting or disconnecting anything to the Pre-Out 1 & 2 sockets.

14. NAD LINK IN, OUT

The NAD-Link connector is used to pass commands from other units fitted with NAD-Link connectors. This allows centralised control of a complete system, and also allows some of the basic functions of other NAD components (such as a CD player or cassette-deck) also equipped with NAD-Link to be controlled with the pre-amplifier's remote control. To function with such other units, connect the C 162's NAD-Link Out to the NAD-Link In on the other unit. NAD-Link connectors can be daisy-chained, IN to OUT, so that a whole system can be controlled from the remote control facilities of one unit.

15. 12V TRIGGER OUT

The 12V trigger is activated automatically when switching the NAD C 162 from off or stand-by to on. Connect the 12V trigger to a power amplifier or AC outlet power strip equipped with a 12V trigger input for remote on/off switching of those devices. Use a cable terminated with a 3.5mm Mini-Jack connector at the pre-amplifier's end for connection.

16. AC LINE CORD

Plug the AC power cord into a live AC wall socket. Make sure all connections have been made before connecting to mains.

17. SWITCHED AND UNSWITCHED POWER OUTLETS (AH VERSION ONLY)

The AC power cords of other stereo components, such as a CD player, may be plugged into these accessory outlets. Components plugged into the outlet marked "switched" will be switched on and off as the pre-amplifier is switched from stand-by or off to on and vice versa.

Mains power is always available on the outlet marked "unswitched" as long as the NAD C 162's power cord is plugged into a live AC wall outlet. This outlet can be used for components which may require continuous supply of AC mains; some tuners require uninterrupted mains supply to retain preset memory, for instance.

NOTE

The total power consumption of any components connected to the AC outlets may not exceed 100 Watts. Never connect the mains lead of a power amplifier to either the Switched or Unswitched outlets of the NAD C 162.

QUICK START

- 1 Connect a twin RCA lead to a power amplifier.
- 2 Connect the desired sources to the relevant input sockets on the rear.
- 3 Connect speakers to the power amplifier.
- 4 Plug in the AC power cord.
- 5 Press the POWER button to turn on the NAD C 162.
- 6 Switch on the power amplifier
- 7 Press the required input selector.

FRONT PANEL CONTROLS

1. POWER ON/OFF

Press the POWER button to switch the pre-amplifier to its 'Stand-by' mode. The Stand-by indicator (No. 2) over the power button will light up amber. On the front panel, press any of the input selector buttons to switch to pre-amplifier on. From the remote control, press the **POWER ON** button to switch the unit on. The Stand-by indicator will turn from amber to green to indicate it is switched on and ready for use.

NOTE

In Stand-by mode the C 162 uses very little power. However, it is recommended that you switch the unit totally off if it is not going to be used for more than a couple of days. Switch off completely by pressing the POWER button on the front panel (No. 1), all lights will extinguish.

2. POWER/STAND-BY

The indicator LED offers information on the status of the NAD C 162:

Off: The unit is switched off totally.

Amber: The unit is in stand-by mode

Green: The unit is switched on and ready for use.

The LED will also flash when the pre-amplifier receives a remote control command from the supplied handset.

3. HEADPHONE SOCKET

A 1/4" stereo jack socket is supplied for headphone listening and will work with conventional headphones of any impedance. Inserting a headphone jack into this socket automatically switches off the output to the PRE OUT 1 & 2 sockets on the back panel. The volume, tone and balance controls are operative for headphone listening. Use a suitable adapter to connect headphones with other types of sockets, such as 3.5mm stereo 'personal stereo' jack plugs.

NOTE

Listening at high levels can damage your hearing.

4. INFRA-RED REMOTE CONTROL COMMAND RECEIVER

The infrared sensor, located behind this circular window, receives commands from the remote control. There must be a clear line-of-sight path from the remote control to this window; if that path is obstructed, the remote control may not work.

5. INPUT SELECTORS

These buttons select the active input to the NAD C 162 and the signal sent to the Tape outputs and the PRE OUT 1 & 2 sockets. The buttons on the remote control handset duplicate these buttons, with the exception of the tuner input; see below. An LED over each input selector button indicates which input has been selected.

PHONO selects the turntable connected to either the PHONO MM or MC sockets as the active input. Pressing the DISC button on the SR 5 remote selects the phono input.

CD Selects the CD (or other line-level source) connected to the CD sockets, as the active input.

VIDEO Selects the VCR (or stereo TV/Satellite/Cable pre-amplifier) connected to the VIDEO sockets, as the active input. Pressing the VIDEO 2 button on the SR 5 remote selects the VIDEO input.

AUX Selects a line-level source connected to the AUX sockets, as the active input.

TUNER Selects the tuner (or other line-level source) connected to the Tuner sockets, as the active input. The remote control handset has separate buttons for AM and FM; pressing either one will select the C 162's tuner input.

TAPE 2 Selects Tape 2 as the active input.

TAPE 1 Monitor Selects the output from a tape recorder when playing back tapes or monitoring recordings being made through the Tape 1 sockets. Press the Tape 1 button once to select it and again to return to the normal input selection. Tape 1 is a tape Monitor function which does not override the current input selection. For example, if the CD is the active input when TAPE 1 is selected, then the CD signal will continue to be selected and sent to both the TAPE 2, and TAPE 1 OUTPUT sockets, but it is the sound from recorder connected to Tape 1 that will be heard. Apart from the amber LED to indicate Tape 1 is engaged, the green LED for the active input will also stay lit.

NOTE

The remote control handset with the C 162 supplied is of a universal NAD type, designed to operate several NAD models. Some buttons on this handset are inoperative as the functions aren't supported by the C 162. The Video 2 and Video 3 input selector buttons on the remote control handset are inoperative in the case of the C 162.

6. BASS & TREBLE CONTROLS

The NAD C 162 is fitted with BASS and TREBLE tone controls to adjust the tonal balance of your system.

The 12 o'clock position is 'flat' with no boost or cut and a detent indicates this position. Rotate the control clockwise to increase the amount of Bass or Treble. Rotate the control anti-clockwise to decrease the amount of Bass or Treble. The Tone controls do not affect recordings made using the Tape outputs.

7. TONE DEFEAT

The TONE DEFEAT switch by-passes the tone control section of the NAD C 162. If the Tone Controls are not normally used and left in the 12 o'clock position, then it is advisable to switch out the Tone Control section altogether by using this switch. In the 'out' position, the Tone Control circuits are active, pushing the TONE DEFEAT switch 'in' bypasses the Tone Control section.

8. BALANCE

The BALANCE control adjusts the relative levels of the left and right speakers. The 12 o'clock position provides equal level to the left and right channels. A detent indicates this position.

Rotating the control clockwise moves the balance towards the right. Rotating the control anti-clockwise moves the balance to the left. The BALANCE control does not affect recordings made using the Tape outputs.

9. VOLUME

The VOLUME control adjusts the overall loudness of the signals being fed to the loudspeakers. It is motor driven and can be adjusted from the remote control handset. The VOLUME control does not affect recordings made using the Tape outputs.

On the remote control handset, press the MUTE Button to temporarily switch off the sound to the speakers and headphones. Mute mode is indicated by the active input LED flashing. Press MUTE again to restore sound. Mute does not affect recordings made using the Tape outputs but will affect the signal going to the Pre-amp output (Pre Out).

TO MAKE A RECORDING

When any source is selected, its signal is also fed directly to any tape machine connected to the TAPE 2 or TAPE 1 OUTPUTS for recording.

TAPE TO TAPE COPYING

You can copy between two tape machines connected to your NAD C 162. Put the source tape in the recorder connected to Tape 2 and the blank tape into the recorder connected to Tape 1. By selecting TAPE 2 Input you can now record from Tape 2 to Tape 1 and monitor the signal coming from the original tape.

REMOTE CONTROL HANDSET

The Remote Control handset handles all the key functions of the NAD C 162 and has additional controls to remotely operate NAD Tuners, Cassette and CD machines. It will operate up to a distance of 16ft (5m). Alkaline batteries are recommended for maximum operating life. Two AAA (R 03) batteries should be fitted in the battery compartment at the rear of the Remote Control handset. When replacing batteries, check that they have been put in the right way round, as indicated on the base of the battery compartment.

Please refer to previous sections of the manual for a full description of individual functions.

POWER ON/OFF BUTTONS

Press ON to switch the unit on, the Standby indicator on the front panel will turn from amber to green within 2 seconds, meanwhile the CD indicator automatically flashes 4 times. The unit is now ready for use. Press OFF to switch the unit to standby; the Stand-by indicator on the front panel will turn from green to amber.

The VIDEO 1, VIDEO 3, input selectors, and SPK A and SPK B buttons on the SR 5 remote control handset are inoperative when used with the C 162.

VIDEO 2

Selects the VCR (or stereo TV/Satellite/Cable pre-amplifier) connected to the VIDEO sockets, as the active input.

TUNER

Selects the Tuner input on the NAD C 162 and respectively the AM or FM waveband on a separate remote controllable NAD Tuner.

MUTE

Press the MUTE Button to temporarily switch off the sound to the speakers and headphones. Mute mode is indicated by the active input LED flashing. Press MUTE again to restore sound. Mute does not affect recordings made using the Tape outputs.

MASTER VOLUME

▲ or ▼ respectively increases or decreases the Volume setting. The motorised Volume Control on the front panel will indicate the level set.

Other than the commands relating to the NAD C 162 amplifier itself, there are other buttons which will operate most NAD CD players and Cassette decks equipped with NAD Link:

TUNER CONTROL

(for use with NAD Tuner)

TUNE ► or ◀ scans respectively higher or lower station frequencies for both AM and FM.

PRESET ▲ or ▼ selects respectively higher or lower number station preset.

CD PLAYER CONTROL

(for use with NAD CD Player)

⏸ engages Pause.

■ engages Stop.

▶ engages Play or toggles between Play and Pause.

⏮ or ⏭ engages Track skip; Press once to respectively go to the next track or to return to start of current or previous track.

CASSETTE DECK CONTROL

(For use with single (DECK B) or double transport (A and B)

NAD Cassette Decks)

▶ or ◀ engages Forward Play or Reverse Play.

■ stops Play

⏮ engages Rewind.

⏭ engages Fast Forward.

NOTE

Direct sunlight or very bright ambient lighting may affect the operating range and angle for the remote control handset.

BI-AMPING

Some loudspeakers have separate connection terminals for the LF (Low Frequency) and HF (High Frequency) sections of the speaker. This facility allows to "Bi-amp" these speakers, where a separate power amplifier is used for the LF and HF section, which may improve overall sound quality.

The NAD C 162 provides two sets of pre amplifier outputs (PRE OUT 1 & 2) to facilitate the connections for Bi-amping. Moreover, the level from PRE OUT 2 can be reduced in relation to PRE OUT 1 to accommodate power amplifiers with different gain (amplification factor).

To set up the C 162 with power amplifiers first decide which power amplifier has the highest gain. This is easily done by comparing the loudness level of the power amplifiers in an identical system (keep the volume control at the same level; use the same source and speakers). The amplifier that plays louder has the highest gain (note that this does not need to be the more powerful amplifier of the two).

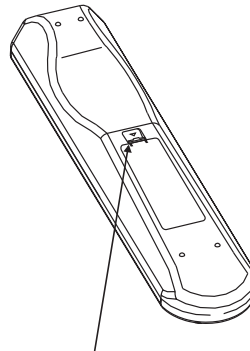
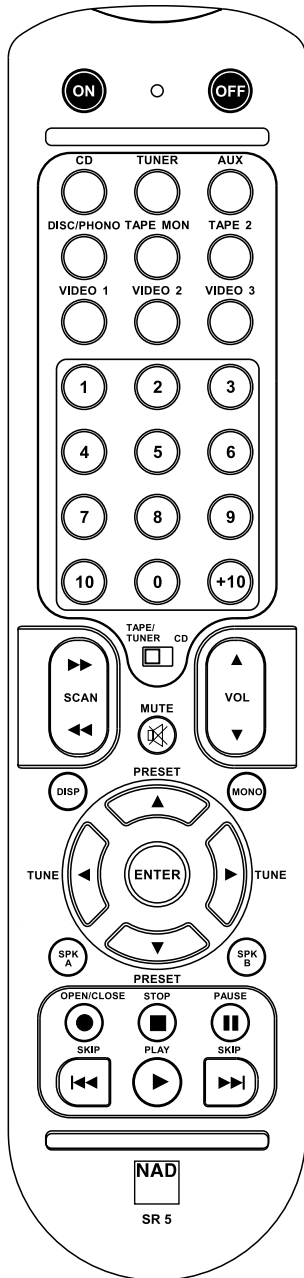
Connect the amplifier with highest gain to the PRE OUT 2 (No. 12) sockets; the other power amplifier to the PRE OUT 1 (No. 11) sockets.

From the maximum level position (0dB), use the VOLUME PRE OUT 2 control (No. 13) to reduce the output level of PRE OUT 2 so that the volume level of both power amplifiers is exactly matched.

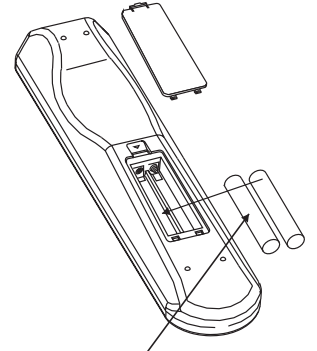
TROUBLESHOOTING

PROBLEM	CAUSE	SOLUTION
NO SOUND	<ul style="list-style-type: none"> Power AC lead unplugged or power not switched on Tape 1 Monitor selected Mute on Power amplifier is switched off Headphones inserted 	<ul style="list-style-type: none"> Check if AC lead is plugged in and power switched on De-select Tape 1 Monitor mode Switch off Mute Switch power amplifier on Unplug headphones
NO SOUND ONE CHANNEL	<ul style="list-style-type: none"> Balance control not centered RCA lead to power amplifier not properly connected or damaged. Input lead disconnected or damaged 	<ul style="list-style-type: none"> Center Balance control Check leads and connections Check leads and connections
PROBLEM ON PHONO INPUT ONLY	<ul style="list-style-type: none"> No signal Hum on Phono input. Weak or Distorted signal 	<ul style="list-style-type: none"> Check MM-MC switch set correctly Check phono earth lead is connected Check the turntable is connected to the correct MM or MC phono input
REMOTE CONTROL HANDSET NOT WORKING	<ul style="list-style-type: none"> Batteries flat, or incorrectly inserted IR transmitter or receiver windows obstructed IR receiver in direct sun or very bright ambient light 	<ul style="list-style-type: none"> Check or replace batteries Remove obstruction Place unit away from direct sun, reduce amount of ambient light

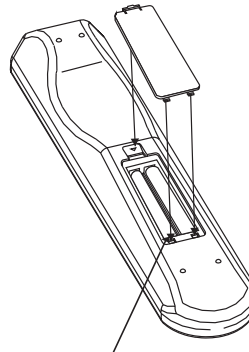
REMOTE CONTROL



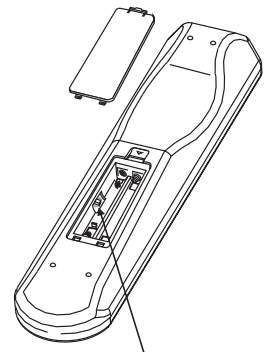
PRESS IN AND LIFT TAB TO REMOVE BATTERY COVER OUT OF RECESS



PLACE BATTERIES INTO OPENING. ENSURE THE CORRECT FITTING IS OBSERVED



REPLACE BATTERY COVER BY ALIGNING AND INSERTING THE TWO TABS INTO THE HOLES.



DEV.1 & DEV.2

PRESS BATTERY COVER INTO PLACE UNTIL IT 'CLICKS' CLOSED

NOTES CONCERNANT L'INSTALLATION

Posez votre NAD C 162 sur une surface stable, plane et horizontale. Évitez les rayons directs du soleil et les sources de chaleur et d'humidité. Assurez une ventilation adéquate. Ne posez pas cet appareil sur une surface molle (moquette, par exemple). Ne le placez pas dans un endroit confiné (sur une étagère de bibliothèque ou derrière des portes vitrées), où le flux d'air à travers les ouïes de ventilation risque d'être entravé. Vérifiez que l'appareil et les autres modules sont mis hors tension avant de réaliser des connexions quelconques.

Pour vous faciliter la tâche, les bornes RCA de votre NAD C 162 sont codées couleur. Rouge pour l'audio droite, blanc pour l'audio gauche, et jaune pour la Liaison-NAD.

N'utilisez que des câbles et des connecteurs de très bonne qualité, de manière à obtenir un branchement dont la fiabilité est parfaite et les performances optimales. Vérifiez que les câbles et les connecteurs ne présentent aucune détérioration, et que tous les connecteurs sont bien enfoncés jusqu'en butée.

Si l'appareil doit rester inutilisé pendant un certain temps, débranchez le cordon d'alimentation de la prise de secteur murale.

Si de l'eau pénètre à l'intérieur de votre NAD C 162, coupez l'alimentation de l'appareil et retirez la fiche de la prise secteur. Faites contrôler l'appareil par un technicien de service après-vente qualifié, avant toute tentative de remise en service.

Ne retirez pas le couvercle. A l'intérieur, il n'y a aucun élément sur lequel l'utilisateur peut intervenir.

Utilisez un chiffon doux sec et propre pour nettoyer l'appareil. Si nécessaire, humectez le chiffon avec un peu d'eau savonneuse. N'utilisez jamais une solution contenant du benzol ou un quelconque autre agent volatil.

BRANCHEMENTS SUR LE PANNEAU ARRIÈRE**1. ENTRÉE MC**

Entrée pour tête de pick-up à Électrodynamique. Branchez le câble de votre platine tourne-disque à cette entrée si la platine est équipée d'une tête électrodynamique.

2. ENTRÉE MM

Entrée pour tête de pick-up Magnétique. Branchez le câble de votre platine tourne-disque à cette entrée si la platine est équipée d'une tête Magnétique.

3. SÉLECTEUR MC-MM

Utilisez ce sélecteur pour choisir l'entrée phono que vous utilisez.

4. PRISE DE TERRE PHONO

Les câbles RCA jumelés comportent souvent un conducteur de terre unique. Utilisez la prise de terre phono du NAD C 162 pour le branchement de ce conducteur. Dévissez la borne pour dégager le trou, dans lequel il vous suffira d'insérer le conducteur. Après avoir inséré le conducteur, serrez la borne pour le maintenir en place.

5. ENTRÉE CD

Entrée pour un lecteur CD ou pour toute autre source de signal de niveau ligne. Utilisez un câble jumelé RCA vers RCA pour relier les prises de sortie audio gauche et droit du lecteur CD à cette entrée. Le NAD C 162 n'accepte que les signaux analogiques de votre lecteur CD.

6. ENTRÉE VIDÉO

Entrée pour le signal audio provenant d'un magnétoscope stéréo (ou TV / Satellite / Câble stéréo) ou d'une autre source audio de niveau ligne. En utilisant les câbles jumelés RCA vers RCA, reliez les prises de "Sortie

Audio" gauche et droit de l'appareil à ces entrées. Nota : Il s'agit d'entrées audio uniquement.

7. ENTRÉE AUX

Entrée pour d'autres signaux de niveau ligne, comme un deuxième lecteur CD par exemple. Utilisez un câble jumelé RCA vers RCA pour relier les prises de "Sortie Audio" [Audio Outputs] gauche et droit de l'appareil audio auxiliaire à cette entrée.

8. ENTRÉE TUNER

Entrée pour un tuner ou pour toute autre source de signal de niveau ligne. Utilisez un câble jumelé RCA vers RCA pour relier les prises de "Sortie Audio" gauche et droit de l'appareil à cette entrée.

**9. ENTRÉE / SORTIE "MAGNÉTOPHONE 2"
[TAPE 1 IN, OUT]**

Branchements pour enregistrement et lecture analogiques sur un magnétophone audio de type quelconque. En utilisant des câbles jumelés RCA vers RCA, reliez les prises de "Sortie Audio" gauche et droite du magnétophone aux prises d'ENTRÉE MAGNÉTOPHONE 2 [TAPE 2 IN] pour la lecture et le contrôle d'enregistrement des bandes. Reliez les prises d'Entrée Audio gauche et droite du magnétophone aux prises de SORTIE MAGNÉTOPHONE 2 [TAPE 2 OUT] pour l'enregistrement des bandes.

**10. ENTRÉE / SORTIE "MAGNÉTOPHONE 1"
[TAPE 1 IN, OUT]**

Branchements pour enregistrement et lecture analogiques sur un deuxième magnétophone audio de type quelconque. En utilisant des câbles jumelés RCA vers RCA, reliez les prises de "Sortie Audio" gauche et droite du magnétophone aux prises d'ENTRÉE MAGNÉTOPHONE 1 [TAPE 1 IN] pour la lecture et le contrôle d'enregistrement des bandes. Reliez les prises d'Entrée Audio gauche et droite du magnétophone aux prises de SORTIE MAGNÉTOPHONE 1 [TAPE 1 OUT] pour l'enregistrement des bandes.

11. SORTIE PRÉAMPLI 1 [PRE OUT 1]

Le NAD C 162 permet la connexion de plusieurs amplificateurs de puissance. Si vous utilisez un seul amplificateur de puissance, servez-vous des prises de SORTIE PRÉAMPLI 1 [PRE OUT 1].

Si vous utilisez une paire d'amplificateurs de puissance spécifiquement conçus pour la fonction "Bi-amplificateurs", utilisez les prises de "SORTIE PRÉAMPLI 2" pour brancher celui des deux amplificateurs dont le gain est le plus faible. Reportez-vous aussi au chapitre "Bi-amplificateurs" pour de plus amples informations.

Utilisez un câble jumelé RCA vers RCA pour relier les "Entrées Audio" gauche et droite de l'Amplificateur de Puissance aux prises de "SORTIE PRÉAMPLI 1" [PRE OUT 1].

12. SORTIE PRÉAMPLI 2 [PRE OUT 2]

Les prises de "SORTIE PRÉAMPLI 2" [PRE OUT 2] peuvent être utilisées pour piloter un deuxième amplificateur de puissance. La commande de VOLUME "SORTIE PRÉAMPLI 2" [PRE-OUT 2] (N° 13) permet de réduire le niveau de sortie du préamplificateur alimentant l'amplificateur de puissance de jusqu'à -12 dB. Lorsque la commande de VOLUME "SORTIE PRÉAMPLI 2" est réglée à sa position maximale (position 0 dB), le niveau de sortie est identique à celui des prises de "SORTIE PRÉAMPLI 1" [PRE OUT 1].

Si vous utilisez une paire d'amplificateurs de puissance spécifiquement conçus pour la fonction "Bi-amplificateurs", utilisez les prises de "SORTIE PRÉAMPLI 2" pour brancher celui des deux amplificateurs dont le gain est le plus fort. En jouant sur la commande de VOLUME "SORTIE PRÉAMPLI 2" (N° 13), il est possible d'accorder avec précision le volume de sortie de cet amplificateur de puissance à celui de l'amplificateur connecté aux prises de "SORTIE PRÉAMPLI 1" (PRE OUT 1). Reportez-vous aussi au chapitre "Bi-amplificateurs" pour de plus amples informations.

Utilisez un câble jumelé RCA vers RCA pour relier les "Entrées Audio" gauche et droite de l'Amplificateur de Puissance aux prises de "SORTIE PRÉAMPLI 1" [PRE OUT 1].

13. VOLUME SORTIE PRÉAMPLI 2 [VOLUME PRE OUT 2]

La commande de VOLUME "SORTIE PRÉAMPLI 2" [PRE OUT 2] permet de régler le niveau de sortie des PRISES DE "SORTIE PRÉAMPLI 2" [PRE OUT 2]. Il est possible de diminuer le niveau de sortie du préamplificateur alimentant l'amplificateur de puissance de jusqu'à 12 dB ; lorsque la commande est réglée à sa position maximale (position 0 dB), le niveau de sortie est identique à celui des prises de "SORTIE PRÉAMPLI 1" [PRE OUT 1]. Reportez-vous aussi au chapitre "Bi-amplificateurs" pour de plus amples informations.

NOTA

Mettez toujours le préamplificateur et les amplificateurs de puissance associés hors tension avant de brancher ou de débrancher quoique ce soit au niveau des prises sortie Préamplificateur 1 et 2 [Pre-Out 1 & 2].

14. "ENTRÉE / SORTIE LIAISON NAD" [NAD LINK IN, OUT]

Le connecteur de Liaison-NAD [NAD-Link] sert à relayer les commandes en provenance d'autres appareils équipés de connecteurs de Liaison-NAD. Cela permet de commander la chaîne entière depuis un point central, et assure aussi quelques fonctions de base pour d'autres composants NAD (tels que le tuner, le lecteur de CD ou le lecteur de cassettes) pourvus également d'une liaison NAD qui est commandée par la télécommande du préamplificateur. Pour assurer le relais vers d'autres appareils de ce type, reliez le connecteur de "Sortie Liaison-NAD" [NAD-Link OUT] du C 162 à l'Entrée NAD-Link de l'autre appareil. Il est possible de relier les connecteurs de Liaison-NAD en chaîne, ENTRÉE vers SORTIE, et donc de commander toute une chaîne d'appareils à l'aide de la télécommande d'un seul d'entre eux.

15. SORTIE "ASSERVISSEMENT 12 V" [12 V TRIGGER]

La sortie asservissement 12 V est activée automatiquement lorsque le NAD C 162 est mis en marche à partir du mode Veille ou Arrêt. Reliez l'asservissement 12 V à un amplificateur de puissance ou à un bandeau de prises secteur équipé d'une entrée d'asservissement 12 V, pour permettre la commutation de ces derniers. Utilisez un câble équipé d'un connecteur Mini-Jack de 3,5 mm du côté préamplificateur.

16. CORDON D'ALIMENTATION SECTEUR

Branchez le cordon secteur à une prise de courant murale en état de marche. Veillez à ce que tous les branchements aient été faits avant de brancher le cordon au secteur.

17. PRISES DE SECTEUR COMMUTÉES (VERSION AH UNIQUEMENT)

Les cordons secteur d'autres appareils pourront être branchés sur ces prises auxiliaires. Les modules branchés sur la sortie repérée "commutée" ["switched"] seront mis sous tension et hors tension lorsque vous mettez le préamplificateur en veille ou hors tension, respectivement.

La tension secteur est toujours disponible sur la sortie repérée "non commutée" ["unswitched"], à condition que le cordon d'alimentation du NAD C 162 soit branché sur une prise de secteur murale en état de marche. Cette sortie permet d'alimenter les modules nécessitant une alimentation secteur permanente; certains tuners, par exemple, nécessitent une alimentation secteur ininterrompue afin de conserver les stations préréglées dans leur mémoire.

NOTA

La consommation totale de tous les modules connectés aux sorties secteur ne doit pas dépasser 100 Watts. Ne branchez jamais le câble d'alimentation d'un amplificateur de puissance aux sorties Commutées ou Non Commutées du NAD C 162.

MISE EN MARCHÉ RAPIDE

- 1 Branchez un câble jumelé RCA à un amplificateur de puissance.
- 2 Connectez les sources souhaitées aux prises d'entrées appropriées à l'arrière de l'appareil.
- 3 Connectez les haut-parleurs à l'amplificateur de puissance.
- 4 Branchez le cordon d'alimentation secteur.
- 5 Appuyez sur le bouton-poussoir "ALIMENTATION" [POWER] pour mettre le NAD C 162 sous tension.
- 6 Mettez l'amplificateur de puissance sous tension.
- 7 Appuyez sur le sélecteur d'entrée correspondant à la source que vous souhaitez entendre.

COMMANDES SUR LA FACE PARLANTE

1. ALIMENTATION MARCHÉ/ARRÊT [POWER ON/OFF]

Appuyez sur le bouton d'ALIMENTATION [POWER] pour mettre le préamplificateur en mode "Veille". Le témoin de Veille (N° 2) s'allume en orange au dessus du bouton Marche. Sur la face parlante, appuyez sur l'un des boutons de sélection des entrées pour mettre le préamplificateur en marche. Sur la télécommande, appuyez sur la touche **ALIMENTATION MARCHÉ [POWER ON]** pour mettre l'appareil sous tension. Le témoin de Veille passe de l'orange au vert pour indiquer que l'appareil est en marche et qu'il est prêt à fonctionner.

NOTA

Le C 162 ne consomme que très peu de courant en mode Veille. Toutefois, si l'appareil doit rester inutilisé pendant plusieurs jours, nous préconisons de le mettre hors tension. Pour mettre l'appareil hors tension, appuyez sur le bouton "Marché-Arrêt" [POWER] (N° 1) de la face parlante; tous les voyants s'éteindront.

2. LAMPE TÉMOIN DE VEILLE [STAND-BY]

La LED témoin donne des informations concernant l'état du NAD C 162: **Inactif [Off]** : L'appareil est complètement éteint.

Orange : L'appareil est en mode Veille

Vert : L'appareil est en marche, prêt à fonctionner.

La LED clignote lorsque le préamplificateur reçoit une commande en provenance du combiné de télécommande fourni avec l'appareil.

3. PRISE "CASQUE" [HEADPHONE]

Une prise stéréo pour fiche à jack de 1/4" est prévue pour l'écoute avec casque et convient aux casques conventionnels d'impédance quelconque. Le simple fait de brancher le casque sur cette prise coupe automatiquement le signal envoyé aux prises de SORTIE PRÉAMPLI 1 & 2 [PRE OUT 1 & 2] sur le panneau arrière. Les commandes de volume sonore, de tonalité et de balance agissent aussi sur l'écoute sur casque. Utilisez un adaptateur approprié pour brancher des casques équipés d'un autre type de connecteur, tel qu'un jack stéréophonique de 3,5 mm de type "baladeur stéréo".

NOTA

L'écoute à des niveaux sonores élevés peut entraîner des dommages auditifs permanents.

4. RÉCEPTEUR INFRAROUGE DE TÉLÉCOMMANDES

Le capteur infrarouge, situé derrière cette fenêtre circulaire, reçoit les commandes de la télécommande. L'espace entre la télécommande et le récepteur doit être dégagé de tout obstacle, sinon la télécommande pourrait refuser de fonctionner.

5. SÉLECTEURS D'ENTRÉES

Ces boutons permettent de sélectionner l'entrée active du NAD C 162 ainsi que le signal envoyé aux sorties Magnétophone et aux prises de SORTIE PRÉAMPLI 1 & 2 [PRE OUT 1 & 2]. Les boutons sur la télécommande sont identiques à ces boutons, à l'exception de l'entrée tuner; voir ci-dessous. Une LED au dessus de chaque bouton de sélection d'entrée indique l'entrée actuellement active.

Le bouton **PHONO** sélectionne, comme entrée active, la platine tourne-disques connecté aux prises PHONO MM ou MC. Le fait d'appuyer sur le bouton DISQUE [DISC] de la télécommande SR 5 sélectionne l'entrée phono. Le bouton **CD** sélectionne, comme entrée active, le lecteur CD (ou une source de niveau ligne) branchée aux prises CD.

Le bouton **VIDÉO** sélectionne, comme entrée active, le magnétoscope (ou un téléviseur / décodeur satellite / préamplificateur de télédistribution stéréo) connecté aux prises VIDÉO. Le fait d'appuyer sur le bouton VIDÉO 2 de la télécommande SR 5 sélectionne l'entrée VIDÉO. Le bouton **AUX** sélectionne, comme entrée active, une source de niveau ligne branchée aux prises AUX.

Le bouton **TUNER** Sélectionne, comme entrée active, le tuner (ou une source de niveau ligne) branché aux prises Tuner. Le combiné de télécommande est pourvu de boutons distincts AM et FM ; une impulsion sur l'un ou l'autre sélectionnera l'entrée Tuner du C 162.

Le bouton **MAGNÉTOPHONE 2 [TAPE 2]** sélectionne "Magnétophone 2" [Tape 2] comme l'entrée active.

Le bouton **TAPE 1 Monitor** sélectionne la sortie d'un magnétophone lors de la lecture de cassettes ou du suivi d'enregistrements à partir des prises "Magnétophone 1" [Tape 1]. Appuyez une fois sur le bouton "Magnétophone 1" [Tape 1] pour l'activer et une deuxième fois pour rétablir la sélection d'entrée normale. "Magnétophone 1" [Tape 1] est une fonction de suivi magnétophone qui n'annule pas la sélection d'entrée en cours. Par exemple, si le CD est l'entrée active lorsque TAPE 1 est sélectionné, le signal CD continue d'être sélectionné et est envoyé aussi bien aux prises de sortie TAPE 2 et TAPE 1, mais c'est le son du magnétophone relié à TAPE 1 qui sera entendu. En plus du voyant orange indiquant le fonctionnement du Magnétophone 1, le voyant vert de l'entrée active restera allumé il aussi.

NOTA

Le combiné de télécommande fourni avec le C 162 est de type NAD Universel ; il est conçu pour fonctionner avec plusieurs modèles d'appareils NAD. Certains boutons de ce combiné ne fonctionnent pas car les fonctions concernées ne sont pas supportées par le C 162. Les boutons de sélection d'entrée Vidéo 2 et Vidéo 3 sur la télécommande ne fonctionnent pas dans le cas du C 162.

6. COMMANDES DES "GRAVES" [BASS] ET DES "AIGUS" [TREBLE]

Le NAD C 162 est équipé de commandes de "GRAVES" [BASS] ET d' "AIGUS" [TREBLE], qui permettent de régler la tonalité globale de votre chaîne. La position médiane (12 heures) correspond à une courbe plate, sans amplification ni atténuation; un léger dé clic peut être ressenti dans le mouvement du bouton à cet endroit. Tournez le bouton en sens horaire pour amplifier les Graves ou les Aigus. Tournez le bouton en sens anti-horaire pour atténuer les Graves ou les Aigus. Les commandes de Tonalité n'affectent pas les enregistrements faits au moyen des Sorties "Magnétophone".

7. "TONALITÉ NEUTRE" [TONE DEFEAT].

L'interrupteur de "TONALITÉ NEUTRE" [TONE DEFEAT] contourne la section de commande de la tonalité du NAD C 162. Si vous n'utilisez pas les commandes de tonalité, c'est à dire si elles restent toujours en position médiane (12 heures), il est conseillé de mettre les dispositifs de réglage de la tonalité complètement hors circuit grâce à ce bouton-interrupteur. Si le bouton n'est pas enfoncé, les circuits de tonalité sont actifs; le fait d'enfoncer le bouton "TONALITÉ NEUTRE" [TONE DEFEAT] contourne les circuits de réglage de la tonalité.

8. BALANCE

La commande de BALANCE règle les niveaux relatifs des haut-parleurs gauche et droit. La position médiane (12 heures) assure un niveau égal pour les voies gauche et droite. Un léger dé clic peut être ressenti dans le mouvement du bouton à cet endroit.

En tournant le bouton en sens horaire, vous déportez l'équilibre vers la droite. En tournant le bouton en sens anti-horaire, vous déportez l'équilibre vers la gauche. La commande de BALANCE n'affecte pas les enregistrements faits au moyen des Sorties "Magnétophone".

9. VOLUME

La commande de VOLUME sonore règle le volume global des signaux envoyés aux haut-parleurs. Elle est motorisée et peut être réglée à l'aide de la télécommande. La commande de VOLUME n'affecte pas les enregistrements faits au moyen des Sorties "Magnétophone".

Sur la télécommande, appuyez sur le bouton "SILENCIEUX" [MUTE] pour couper provisoirement le son des haut-parleurs et du casque. Le mode Silencieux est indiqué par le clignotement de la LED de l'entrée active. Réappuyez sur "SILENCIEUX" [MUTE] pour rétablir le son. La commande Mute n'affecte pas les enregistrements faits au moyen des Sorties "Magnétophone" [TAPE] mais agit toutefois sur le signal allant vers la "Sortie de Prémplification" [Pre Out].

ENREGISTREMENT

Lorsqu'une source est sélectionnée, son signal est aussi envoyé directement à un quelconque magnétophone relié aux SORTIES "MAGNÉTOPHONE 2" ou "MAGNÉTOPHONE 1" [TAPE 2 ou TAPE 1] pour l'enregistrement.

"COPIER ENTRE CASSETTES" [TAPE TO TAPE]

Il est possible de réaliser des copies entre deux magnétophones connectés à votre NAD C 162. Mettez la bande source sur le magnétophone connecté à "Magnétophone 2" [Tape 2] et la bande vierge sur le magnétophone connecté à "Magnétophone 1" [Tape 1]. En sélectionnant l'Entrée "MAGNÉTOPHONE 2" [TAPE 2], il est possible d'enregistrer de "Magnétophone 2" à "Magnétophone 1", et de contrôler le signal en provenance de la bande d'origine.

TÉLÉCOMMANDE

La Télécommande reproduit toutes les fonctions clés du NAD C 162, et comporte aussi des commandes supplémentaires permettant de télécommander les Tuners, les Magnétophones et les Lecteurs CD NAD. Elle fonctionne depuis une distance pouvant aller jusqu'à 5 mètres.

Il est conseillé d'utiliser des piles alcalines pour une longévité maximale. Le compartiment des piles, à l'arrière de la télécommande, est prévu pour deux piles de type (R 03) AAA. Lors du remplacement des piles, assurez-vous de leur bonne orientation conformément au dessin dans le fond du compartiment des piles.

Reportez-vous aux sections précédentes du manuel pour des descriptions détaillées des différentes fonctions.

BOUTONS ALIMENTATION MARCHÉ/ARRÊT [ON/OFF]

Appuyez sur le bouton MARCHÉ [ON] pour mettre l'appareil en marche; le témoin de Veille de la face parlante passe de l'orange au vert dans les deux secondes, alors que le témoin CD clignote automatiquement 4 fois. L'appareil est maintenant prêt à fonctionner.

Appuyez sur le bouton ARRÊT [OFF] pour mettre l'appareil en veille; le témoin de Veille de la face parlante passe du vert à l'orange.

Les sélecteurs d'entrées VIDÉO 1, VIDÉO 3 et les boutons SPK A et SPK B de la télécommande SR 5 ne fonctionnent pas dans le cas du C 162.

VIDÉO 2

Ce bouton sélectionne, comme entrée active, le magnétoscope (ou un téléviseur / décodeur satellite / préamplificateur de télédistribution stéréo) connecté aux prises VIDÉO.

TUNER

Sélectionne l'entrée Tuner du NAD C 162, ainsi que la bande AM ou FM, suivant le cas, sur un Tuner NAD télécommandable.

SILENCIEUX [MUTE]

Appuyez sur le bouton SILENCIEUX [MUTE] pour couper provisoirement l'émission du son vers les haut-parleurs et le casque. Le mode Silencieux est indiqué par le clignotement de la LED de l'entrée active. Réappuyez sur SILENCIEUX [MUTE] pour rétablir le son. La commande Mute n'affecte pas les enregistrements faits au moyen des Sorties Magnétophone [Tape].

VOLUME GLOBAL [MASTER VOLUME]

Les boutons ▲ or ▼ permettent d'augmenter ou de diminuer le réglage du volume sonore, respectivement. La Commande de Volume motorisée sur la face parlante indiquera le niveau réglé.

En plus des commandes concernant l'amplificateur NAD C 162 lui-même, d'autres boutons permettent de faire fonctionner la plupart des Lecteurs CD et Platines à Cassettes NAD équipés de la "Liaison NAD" [NAD Link]:

COMMANDE TUNER [TUNER CONTROL]

(à utiliser avec un Tuner NAD)

Les boutons d'ACCORDEMENT ◀ et ▶ [TUNE ◀ & ▶] permettent de balayer les stations en remontant ou en descendant, respectivement, les bandes AM et FM.

Les boutons de "PRÉRÉGLAGE ▲ et ▼ [PRESET ▲ & ▼] sélectionnent le numéro de station présélectionnée suivante ou précédente, respectivement.

COMMANDE LECTEUR CD [CD PLAYER CONTROL]

(à utiliser avec un lecteur de CD NAD)

Les boutons || active le mode Pause.

Le bouton ■ met l'appareil en mode Arrêt [Stop].

Le bouton ▶ met l'appareil en mode Lecture [Play] ou bascule entre Lecture et Pause.

Les boutons ▶▶ et ◀◀ activent le "Saut de Piste" [Track Skip]; appuyez une fois sur les boutons respectifs soit pour sauter à la piste suivante, soit pour retourner au début de la piste en cours ou précédente.

COMMANDES DE LA PLATINE A CASSETTES

(pour utilisation avec une platine à magnétophone simple (PLATINE B) ou avec une platine à double magnétophone (A et B).

(Platines lecteurs de cassettes NAD)

Les boutons ◀ et ▶ activent la Lecture en Avant [Forward Play] ou la Lecture en Arrière [Reverse Play].

Le bouton ■ arrête la Lecture.

Le bouton ◀◀ active le Rembobinage Rapide [Rewind]

Le bouton ▶▶ active l'Avance Rapide [Fast Forward].

NOTA

Les rayons de soleil directs ou un éclairage d'ambiance très lumineux peuvent avoir une incidence sur la distance et l'angle de fonctionnement de la télécommande.

BI-AMPLIFICATEURS

Certains haut-parleurs comportent des branchements distincts pour les sections BF (Basses Fréquences) et HF (Hautes Fréquences) de l'enceinte. Ce dispositif permet d'utiliser ces haut-parleurs en mode "Bi-Amplificateurs", grâce auquel un amplificateur de puissance distinct est utilisé pour chaque section, BF et HF. Cela peut améliorer la qualité globale de la sonorité.

Le NAD C 162 comporte deux jeux de sorties préamplificateur "SORTIES PRÉAMPLI 1 & 2" [PRE OUT 1 & 2], afin de faciliter les branchements en mode bi-amplificateurs. En outre, il est possible de diminuer le niveau de la sortie de "SORTIE PRÉAMPLI 2" [PRE OUT 2] par rapport à celui de la sortie "SORTIE PRÉAMPLI 1" [PRE OUT 1], ce qui permet d'utiliser des amplificateurs de puissance dont le gain (facteur d'amplification) n'est pas identique.

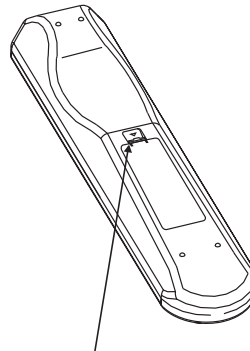
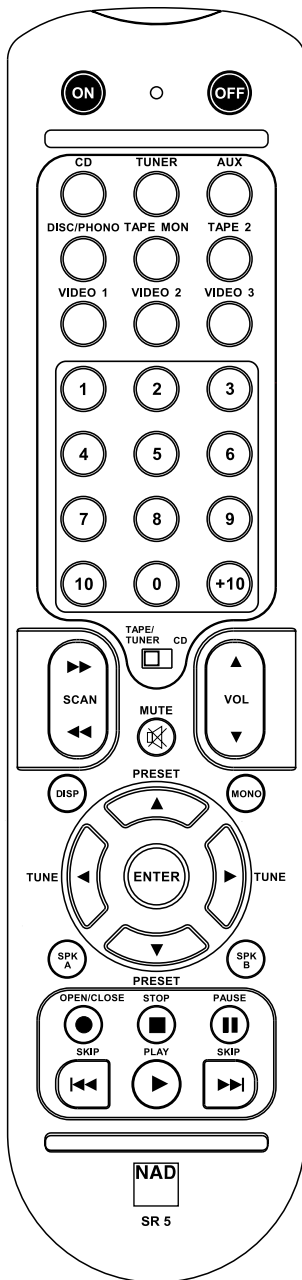
Pour configurer le C 162 avec des amplificateurs de puissance, commencez par décider lequel des deux a le gain le plus élevé. Pour cela, il suffit tout simplement de comparer le volume sonore des deux amplificateurs de puissance sur une chaîne identique (la commande de volume sonore doit être maintenue au même niveau et il faut utiliser la même source et les mêmes haut-parleurs). L'amplificateur qui produit le son le plus fort a le gain le plus élevé (à noter qu'il ne s'agira pas forcément du plus puissant des deux amplificateurs).

Branchez l'amplificateur doté du gain le plus élevé aux prises "SORTIE PRÉAMPLI 2" [PRE OUT 2] (N° 12); branchez l'autre amplificateur de puissance aux prises "SORTIE PRÉAMPLI 1" [PRE OUT 1] (N° 11).

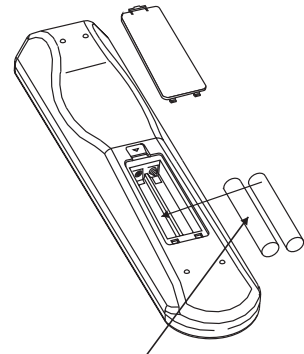
A partir de la position de niveau maximum (0 dB), réglez la commande de "VOLUME DE SORTIE PRÉAMPLI 2" [VOLUME PRE OUT 2] (N° 13) pour réduire le niveau de sortie de "SORTIE PRÉAMPLI 2" [PRE OUT 2] de manière à ce que le niveau sonore des deux amplificateurs de puissance soit parfaitement apparié.

DÉPANNAGE

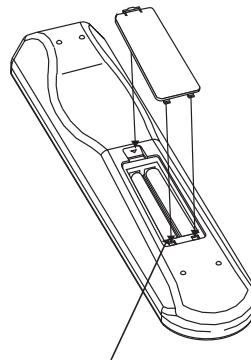
PROBLÈME	CAUSE	SOLUTION
AUCUN SON	<ul style="list-style-type: none">• Câble secteur débranché, ou alimentation coupée.• Tape 1 Monitor est sélectionné• Fonction "Silencieux" [Mute] actif.• Amplificateur de puissance pas sous tension.• Casque branché	<ul style="list-style-type: none">• Vérifiez si le cordon d'alimentation est branché et que la prise murale est sous tension• Désélectionnez le Mode Tape 1 Monitor.• Désactivez la fonction "Silencieux" [Mute].• Mettez l'amplificateur de puissance sous tension• Débranchez le casque
PAS DE SON SUR UNE VOIE	<ul style="list-style-type: none">• La commande de Balance n'est pas au centre• Le câble RCA vers l'amplificateur de puissance n'est pas correctement branché ou est détérioré.• Le câble d'entrée est débranché ou détérioré.	<ul style="list-style-type: none">• Centrez la commande de Balance• Vérifiez les câbles et les branchements.• Vérifiez les câbles et les branchements.
PROBLÈME SUR L'ENTRÉE PHONO UNIQUEMENT	<ul style="list-style-type: none">• Aucun signal• Bourdonnement sur l'entrée Phono.• Signal faible ou déformé	<ul style="list-style-type: none">• Vérifiez que le sélecteur MM-MC est correctement configuré• Vérifiez que le câble de masse phono est branché• Vérifiez que la platine tourne-disque est reliée à l'entrée MM ou MC appropriée
LA TÉLÉCOMMANDE NE FONCTIONNE PAS	<ul style="list-style-type: none">• Piles usées ou incorrectement insérées.• Fenêtre d'émission ou de réception IR obstruée.• Le récepteur IR se trouve en plein soleil ou sous un éclairage d'ambiance trop puissant	<ul style="list-style-type: none">• Vérifiez ou remplacez les piles.• Retirez les obstructions.• Éloignez l'appareil des rayons de soleil directs, réduisez la luminosité



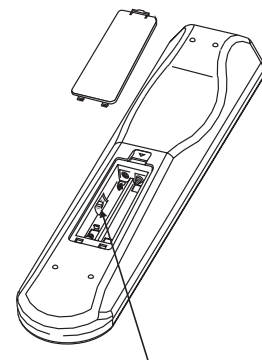
ENFONCEZ ET RELEVEZ LA LANGUETTE POUR RETIRER LE COUVERCLE DU COMPARTIMENT DES PILES



INSÉREZ LES PILES DANS LE COMPARTIMENT. VÉRIFIEZ LA BONNE MISE EN PLACE



REMETTEZ EN PLACE LE COUVERCLE DU COMPARTIMENT DES PILES EN ALIGNANT LES DEUX LANGUETTES AVEC LES TROUS, PUIS EN LES Y INSÉRANT. APPUYEZ SUR LE COUVERCLE DU COMPARTIMENT DES PILES POUR LE METTRE EN PLACE (VOUS RESSENTIREZ UN DÉCLIC)



DEV.1 & DEV.2

HINWEISE ZUR AUFSTELLUNG

Der NAD C 162 sollte auf einer festen und ebenen Oberfläche aufgestellt werden. Vermeiden Sie es, das Gerät direktem Sonnenlicht oder Hitze und Feuchtigkeit auszusetzen. Achten Sie auf ausreichende Luftzirkulation. Stellen Sie das Gerät nicht auf weiche Oberflächen wie z. B. Teppiche, und nicht in abgeschlossene Bereiche wie Bücherregale oder -schränke, wenn diese keine ausreichende Luftzirkulation gewährleisten.

Schalten Sie das Gerät und andere Systemkomponenten aus, bevor Sie irgendwelche Verbindungen herstellen.

Zur besseren Übersicht sind die gummiisierten Anschlußbuchsen am NAD C 162 farblich gekennzeichnet. Rot und weiß entsprechen dem linken bzw. rechten Audiokanal, und gelb wird für die Systemsteuerung (NAD Link) verwendet.

Verwenden Sie für den Anschluß nur hochwertige Leitungen und Buchsen, damit der NAD C 162 immer optimal und zuverlässig arbeitet. Achten Sie außerdem darauf, daß Anschlußleitungen und Buchsen frei von Beschädigungen sind und alle Steckverbindungen fest sitzen.

Ziehen Sie den Netzstecker aus der Steckdose, wenn das Gerät längere Zeit nicht benutzt wird.

Sollte Wasser in den NAD C 162 eindringen, schalten Sie das Gerät aus und ziehen den Netzstecker aus der Steckdose. Lassen Sie das Gerät von einem qualifizierten Servicetechniker untersuchen, bevor Sie es wieder verwenden.

Nehmen Sie nicht den Gehäusedeckel ab. Im Geräteinnern befinden sich keine vom Benutzer reparierbaren Teile.

Säubern Sie das Gerät mit einem trockenen weichen Tuch. Befeuchten Sie das Tuch bei Bedarf leicht mit etwas Seifenwasser. Verwenden Sie keine Lösungsmittel, die Benzol oder andere Verdunstungsmittel enthalten.

RÜCKWANDANSCHLÜSSE

1. MC-EINGANG (MC INPUT)

Eingang für ein MC-Tonabnehmersystem (Moving Coil). Verbinden Sie Ihren Plattenspieler über ein zweifaches, gummiisiertes Anschlußkabel mit diesem Eingang, wenn Sie ein MC-Tonabnehmersystem verwenden.

2. MM-EINGANG (MM INPUT)

Eingang für ein MM-Tonabnehmersystem (Moving Magnet). Verbinden Sie Ihren Plattenspieler über ein zweifaches, gummiisiertes Anschlußkabel mit diesem Eingang, wenn Sie ein MM-Tonabnehmersystem verwenden.

3. MC-MM-UMSCHALTER (MC-MM SWITCH)

Stellen Sie mit diesem Schalter den verwendeten Phono-Eingang ein.

4. PHONO-ERDUNGSANSCHLUß (PHONO GROUND CONNECTOR)

Zweifache, gummiisierte Anschlußkabel für Plattenspieler haben oft auch eine separate Leitung für den Erdungsanschluß. Schließen Sie diese Leitung am Phono-Erdungsanschluß des NAD C 162 an. Lösen Sie dazu die Anschlußklemme so weit, bis das Loch zur Aufnahme der Leitung freiliegt. Führen Sie die Leitung ein und drehen die Anschlußklemme zur Sicherung der Leitung fest.

5. CD-PLAYER-EINGANG (CD INPUT)

Eingang für einen CD-Player oder eine andere Linepegel-Signalquelle. Verbinden Sie diesen Eingang mit dem linken und rechten CD-Player-Audioausgang über ein zweifaches, gummiisiertes Anschlußkabel. Der NAD C 162 verarbeitet von einem CD-Player nur analoge Signale.

6. VIDEOEINGANG (VIDEO INPUT)

Eingang für das Audiosignal eines Stereo-Videorekorders (oder Stereo-TV-/Satelliten-/Kabelempfängers) oder einer anderen Linepegel-Signalquelle. Verbinden Sie den linken und rechten Audioausgang eines Videogerätes mit zweifachen, gummiisierten Anschlußkabeln mit diesen Eingängen. Hinweis: Nur Audioeingänge.

7. ZUSATZEINGANG (AUX INPUT)

Eingang für zusätzliche Linepegel-Signale wie z. B. eine zweiter CD-Player. Verbinden Sie diesen Eingang mit dem linken und rechten Audioausgang des Zusatzgerätes über ein zweifaches, gummiisiertes Anschlußkabel.

8. TUNER-EINGANG (TUNER INPUT)

Eingang für einen Tuner oder eine andere Linepegel-Signalquelle. Verbinden Sie diesen Eingang mit dem linken und rechten Audioausgang des Tuners über ein zweifaches, gummiisiertes Anschlußkabel.

9. EIN-/AUSGANG TONBAND 2 (TAPE 1 IN, OUT)

Anschlüsse für analoge Aufzeichnung und Wiedergabe eines beliebigen Tonbandgerätes. Verbinden Sie zur Wiedergabe und Bandüberwachung den linken und rechten Audioausgang der Bandmaschine mit einem zweifachen, gummiisierten Anschlußkabel mit den Anschlüssen TAPE 2 IN (Tonbandeingang 1). Für die Aufnahme verbinden Sie den linken und rechten Audioeingang der Bandmaschine mit den Buchsen TAPE 2 OUT (Tonbandausgang 1).

10. EIN-/AUSGANG TONBAND 1 (TAPE 1 IN, OUT)

Anschlüsse für analoge Aufzeichnung und Wiedergabe eines beliebigen zweiten Tonbandgerätes. Verbinden Sie zur Wiedergabe und Bandüberwachung den linken und rechten Audioausgang der Bandmaschine mit einem zweifachen, gummiisierten Anschlußkabel mit den Anschlüssen TAPE 1 IN (Tonbandeingang 1). Für die Aufnahme verbinden Sie den linken und rechten Audioeingang der Bandmaschine mit den Buchsen "TAPE OUT 1" (Tonbandausgang 1).

11. VORVERSTÄRKERAUSGANG 1 (PRE-OUT 2)

Der NAD C 162 ermöglicht den Anschluß mehrerer Leistungsverstärker. Wenn Sie nur einen Stereo-Leistungsverstärker verwenden, nehmen Sie die Anschlüsse "PRE OUT 1". Bei einem Leistungsverstärker-Paar, das speziell für Bi-Amping benutzt wird, schließen Sie an diesen Buchsen den Leistungsverstärker mit der niedrigeren Verstärkung an. Weitere Informationen dazu finden Sie im Kapitel „Bi-Amping“. Verbinden Sie die Buchsen "PRE OUT2" mit dem linken und rechten Audioeingang des Leistungsverstärkers über ein zweifaches, gummiisiertes Anschlußkabel.

12. VORVERSTÄRKERAUSGANG 2 (PRE-OUT 2)

Über die Buchsen PRE OUT 2 kann ein weiterer Leistungsverstärker angesteuert werden. Mit dem Einsteller VOLUME PRE OUT 2 (13) kann der Vorverstärker-Ausgangspegel zum Leistungsverstärker bis auf -12 dB reduziert werden. Ist dieser Einsteller in Maximalposition (Stellung 0 dB), ist der Ausgangspegel mit dem von "PRE OUT 1" identisch. Verwenden Sie ein Leistungsverstärker-Paar speziell für Bi-Amping, schließen Sie den Leistungsverstärker mit der höheren Verstärkung an die Buchsen "PRE OUT 2" an. Mit dem Einsteller "VOLUME PRE OUT 2" (13) kann der Lautstärkepegel exakt mit dem des an den Buchsen "PRE OUT 1" angeschlossenen Leistungsverstärkers abgestimmt werden. Weitere Informationen dazu finden Sie im Kapitel „Bi-Amping“.

Verbinden Sie die Buchsen "PRE OUT2" mit dem linken und rechten Audioeingang des Leistungsverstärkers über ein zweifaches, gummiisiertes Anschlußkabel.

13. LAUTSTÄRKE VORVERSTÄRKERAUSGANG 2 (VOLUME PRE OUT 2)

Der Einsteller "VOLUME PRE OUT 2" ermöglicht die Anpassung des Ausgangspegels an den Buchsen "PRE OUT 2". Der Ausgangspegel kann bis auf -12 dB reduziert werden. Ist dieser Einsteller in Maximalposition (Stellung 0 dB), ist der Ausgangspegel mit dem von "PRE OUT 1" identisch. Weitere Informationen dazu finden Sie im Kapitel „Bi-Amping“.

HINWEIS

Vor dem Anschließen oder Entfernen von Geräten an den Buchsen PRE OUT 1 und PRE OUT 2 den Vorverstärker und verbundene Leistungsverstärker immer zuerst ausschalten.

14. SYSTEMSTEUERUNG (NAD LINK IN, OUT)

Über den NAD-LINK-Anschluß werden Befehle von und zu anderen mit NAD-LINK-Anschlüssen ausgestatteten Geräten übertragen. Dadurch ist die zentrale Steuerung eines ganzen Systems und der Grundfunktionen anderer NAD-Komponenten (CD-Player oder Kassettendecks), die ebenfalls mit NAD-Link ausgestattet sind, über die Fernbedienung des Vorverstärkers möglich. Für eine Funktion mit anderen Geräten verbinden Sie den Anschluß NAD-LINK OUT am C 162 mit dem Anschluß NAD-LINK IN eines anderen Gerätes. NAD-LINK-Anschlüsse können in Reihe geschaltet werden, immer IN auf OUT, so daß ein ganzes System über die Fernbedienung eines Gerätes bedient werden kann.

15. 12-V-TRIGGERAUSGANG (12 V TRIGGER OUT)

Beim Einschalten des NAD C162 aus der AUS- oder STANDBY-Stellung wird der 12-V-Trigger automatisch aktiviert. Geräte, die mit einem 12-V-Triggereingang ausgestattet sind, können an diesen Triggereingang angeschlossen und über dieses Triggersignal ein- oder ausgeschaltet werden. Verwenden Sie dazu eine Leitung mit einem 3,5-mm-Ministecker für den Anschluß an den Vorverstärker.

16. AC LINE CORD (NETZKABELANSCHLUß)

Stecken Sie das Netzkabel in eine funktionstüchtige Wechselspannungs-Steckdose ein. Stellen Sie sicher, daß vor dem Netzanschluß alle Anschlüsse hergestellt sind.

17. GESCHALTETE UND UNGESCHALTETE SPANNUNGSAusGÄNGE (SWITCHED/UNSWITCHED POWER OUTLETS) (NUR AH-VERSION)

An diesen Zusatzausgängen können die Netzkabel von anderen Stereogeräten wie z. B. CD-Player eingesteckt werden. Geräte, die an die mit "SWITCHED" markierten Ausgänge angeschlossen sind, werden zusammen mit dem Vorverstärker aus der AUS-/STANDBY-Stellung ein- bzw. ausgeschaltet.

Am Ausgang mit der Bezeichnung "UNSWITCHED" ist die Netzspannung immer verfügbar, solange der NAD C 162 mit einer funktionstüchtigen Wechselspannungs-Steckdose verbunden ist. Verwenden Sie diesen Ausgang für Geräte, die eine ständige Spannungsversorgung benötigen, wie z. B. Tuner für den Erhalt der Speichereinstellungen.

HINWEIS

Die Gesamtleistungsaufnahme aller an den Netzausgängen angeschlossenen Geräten darf 100 Watt nicht überschreiten. Schließen Sie an den geschalteten oder ungeschalteten Netzausgängen des NAD C 162 niemals das Netzkabel eines Leistungsverstärkers an.

SCHNELLSTART

- 1 Leistungsverstärker mit einem zweifachen, gummiisierten Anschlußkabel anschließen.
- 2 Gewünschte Tonquellen mit den entsprechenden Eingangsbuchsen auf der Geräterückseite verbinden.
- 3 Lautsprecher am Leistungsverstärker anschließen.
- 4 Stecken Sie das Netzkabel ein.
- 5 Taste POWER drücken, um das Gerät einzuschalten.
- 6 Leistungsverstärker einschalten.
- 7 Drücken Sie die erforderliche Eingangswahltaste.

FRONTPLATTENELEMENTE

1. POWER ON/OFF (NETZSCHALTER)

Wenn Sie die Taste "POWER" drücken, wechselt der Vorverstärker in den Bereitschafts- oder STAND-BY-Modus und die Stand-By-Anzeige (Nr. 2) über der Drucktaste POWER leuchtet gelb. Drücken Sie dann auf eine beliebige Eingangswahltaste auf der Frontplatte, um den Vorverstärker einzuschalten. Betätigen Sie die Taste **POWER ON** über die Fernbedienung, um das Gerät einzuschalten. Zur Anzeige, daß das Gerät eingeschaltet und für den Betrieb bereit ist, wechselt die Stand-By-Anzeige von gelb nach grün.

HINWEIS

Im Bereitschaftsmodus verbraucht der C 162 sehr wenig Energie. Wir empfehlen aber trotzdem, das Gerät ganz auszuschalten, wenn es für mehrere Tage nicht benutzt wird. Das Gerät wird durch Drücken auf die Drucktaste POWER auf der Frontplatte (Nr. 1) ganz ausgeschaltet. Dabei verlöschen alle Leuchtanzeigen.

2. BEREITSCHAFTSMODUS-ANZEIGE (STANDBY-ANZEIGE)

Diese LED-Anzeige liefert Informationen zum Status des NAD C 162:

Aus: Das Gerät ist ausgeschaltet.

Gelb: Das Gerät ist im Bereitschaftsmodus (Stand-By).

Grün: Das Gerät ist eingeschaltet und betriebsbereit.

Die LED blinkt, wenn der Vorverstärker einen Befehl von der mitgelieferten Fernbedienung erhält.

3. KOPFHÖRERBUCHSE (HEADPHONE)

Musikhören über Kopfhörer ermöglicht eine 6,3-mm-Stereo-Klinkenbuchse, die für alle handelsübliche Kopfhörer mit beliebiger Impedanz geeignet ist. Beim Einstecken eines Kopfhörersteckers in diese Buchse werden die Ausgänge "PRE OUT 1" und "PRE OUT 2" auf der Geräterückseite automatisch abgeschaltet. Lautstärke-, Klang- und Balanceeinsteller arbeiten dann für den Kopfhörerbetrieb. Um Kopfhörer mit anderen Anschlußsteckern wie z. B. 3,5-mm-Klinkenstecker anzuschließen, können entsprechende Adapter verwendet werden.

HINWEIS

Musikhören bei sehr hoher Lautstärke kann das Gehör schädigen.

4. INFRAROT-EMPFÄNGER

Der Infrarotsensor hinter diesem kreisförmigen Fenster empfängt die Signale von der Fernbedienung. Es muß eine klare Sichtverbindung von der Fernbedienung zu diesem Anzeigefeldbereich bestehen. Ist diese Strecke blockiert, funktioniert die Fernbedienung wahrscheinlich nicht.

5. EINGANGSWAHLTASTEN (INPUT SELECTORS)

Diese Tasten wählen den aktiven Eingang für den NAD C 162 und damit das an die Tonband- und Vorverstärkeranschlüsse 1 & 2 gesendete Signal. Mit Ausnahme des Tunereingangs finden Sie dieselben Tasten auch auf der Fernbedienung (siehe unten). Eine LED über jeder Eingangswahltaste signalisiert, welcher Eingang ausgewählt worden ist. **PHONO** wählt den an den Buchsen PHONO MM oder PHONO MC angeschlossenen Plattenspieler als aktiven Eingang. Der Phono-Eingang kann mit der Taste DISC auf der Fernbedienung SR 5 gewählt werden. **CD** wählt den an den Buchsen CD angeschlossenen CD-Player (oder eine andere Linepegel-Signalquelle) als aktiven Eingang.

VIDEO wählt das Signal von einem an den Buchsen VIDEO angeschlossenen Videorekorder (oder Stereo-TV/Kabel-/Satellitenempfänger) als aktiven Eingang. Der Eingang VIDEO kann mit der Taste VIDEO 2 auf der Fernbedienung SR 5 gewählt werden.

AUX wählt die an den Buchsen AUX angeschlossene Linepegel-Signalquelle als aktiven Eingang.

TUNER wählt den an den Buchsen TUNER angeschlossenen Radioempfänger (oder eine andere Linepegel-Signalquelle) als aktiven Eingang. Auf der Fernbedienung befinden sich separate Tasten für AM (Mittelwelle) und FM (UKW). Drücken Sie eine dieser Tasten, wird der Tunereingang des C 162 aktiviert.

TAPE 2 wählt TAPE 2 als aktiven Eingang.

TAPE 1 wählt die Wiedergabe einer Bandmaschine oder die Überwachung von Aufnahmen, die gerade über den Eingang TAPE 1 gemacht werden. Drücken Sie die Taste TAPE 1 einmal für eine Aktivierung und ein weiteres Mal, um zur normalen Eingangseinstellung zurückzukehren. Die Bandüberwachungsfunktion TAPE 1 ändert nicht die gerade aktuelle Eingangsauswahl. Ist z. B. "CD" der aktive Eingang, wenn "TAPE 1" gedrückt wird, bleibt das CD-Signal aktiv und wird immer noch an die Ausgangsbuchsen "TAPE 2" und "TAPE 1" gesendet. Sie hören dann allerdings den Ton von der an "TAPE 1" angeschlossenen Bandmaschine. Neben der gelben LED zur Anzeige von TAPE 1 leuchtet ebenfalls die grüne LED für den aktiven Eingang.

HINWEIS

Die mit dem C 162 mitgelieferte NAD-Universal-Fernbedienung ist für mehrere NAD-Modelle geeignet. Einige Tasten auf dieser Fernbedienung werden vom C160 nicht unterstützt und sind daher ohne Funktion. Die Eingangswahltasten „Video 2“ und „Video 3“ auf der Fernbedienung sind für den C 162 ohne Funktion.

6. EINSTELLER FÜR BASS UND HÖHEN (BASS & TREBLE)

Der NAD C 162 ist mit Klangeinstellern BASS und TREBLE ausgestattet, um das System-Klangbild anpassen zu können.

Die mit einer Einrastung gekennzeichnete 12-Uhr-Position bewirkt ein flaches Klangbild, ohne Verstärkung oder Abschwächung einzelner Frequenzen. Drehen Sie den Einsteller im Uhrzeigersinn für mehr und gegen den Uhrzeigersinn für weniger Bässe und Höhen. Die Klangeinsteller beeinflussen Aufnahmen über die Ausgänge TAPE nicht.

7. KLANGEINSTELLER AUS (TONE DEFEAT)

Die Taste TONE DEFEAT schaltet die Klangregelung im NAD C 162 aus. Wenn Sie die Klangeinsteller normalerweise sowieso in der 12-Uhr-Position lassen, ist es ratsam, das Klangregelsystem komplett durch Drücken der Taste TONE DEFEAT abzuschalten. In der nichtgedrückten Stellung ist das Klangregelsystem aktiv. Wenn Sie die Taste TONE DEFEAT hineindrücken, werden die Klangeinsteller deaktiviert.

8. BALANCE

Der Einsteller BALANCE beeinflusst die relativen Pegel der linken und rechten Lautsprecher. Die 12-Uhr-Position stellt die gleichen Pegel für den linken und rechten Kanal ein. Eine Einrastung kennzeichnet diese Position.

Drehen des Einstellers im Uhrzeigersinn verschiebt die Balance nach rechts. Drehen des Einstellers gegen den Uhrzeigersinn verschiebt die Balance nach links. Der BALANCE-Einsteller beeinflusst Aufnahmen über die Ausgänge TAPE nicht.

9. VOLUME (LAUTSTÄRKE)

Mit dem Einsteller VOLUME kann die Gesamtlautstärke der an die Lautsprecher gesendeten Signale eingestellt werden. Er wird mit einem Motor angetrieben und ist mit der Fernbedienung einstellbar. Der Einsteller "VOLUME" beeinflusst Aufnahmen über die Ausgänge TAPE nicht.

Drücken Sie die Taste MUTE auf der Fernbedienung, um die Klangwiedergabe der Lautsprecher oder Kopfhörer kurzzeitig abzuschalten. Der MUTE-Modus wird durch Blinken der LED des aktiven Eingangs angezeigt. Nochmaliges Drücken der Taste MUTE schaltet die Klangwiedergabe wieder ein. "MUTE" beeinflusst das Tonsignal am Vorverstärkeranschluss (PRE OUT), Aufnahmen über die TAPE-Ausgänge jedoch nicht.

AUFZEICHNEN

Das Signal jedes gewählten Eingangs wird ebenfalls direkt an eine mit den Ausgängen TAPE 2 oder TAPE 1 verbundene und aufnahmebereite Bandmaschine gesendet.

KOPIEREN VON BAND ZU BAND

Wenn zwei Bandmaschinen am NAD C 162 angeschlossen sind, kann von einer auf die andere kopiert werden. Legen Sie dazu das Quellenband in das an TAPE 2, und das leere Band in das an TAPE 1 angeschlossene Tonbandgerät ein. Wenn Sie jetzt den Eingang TAPE 2 wählen, können Sie von TAPE 2 auf TAPE 1 überspielen und dabei das Signal vom Originalband hören.

FERNBEDIENUNG

Mit der Fernbedienung können alle Hauptfunktionen des NAD C 162 ausgeführt werden. Sie bietet außerdem zusätzliche externe Steuerungsmöglichkeiten für NAD Tuner, Kassettendecks und CD-Player. Der Betrieb ist innerhalb einer Reichweite von 5 m möglich.

Für eine maximale Betriebsdauer werden vier Alkaline-Batterien AAA (R03) empfohlen, die auf der Rückseite der Fernbedienung in das Batteriefach eingelegt werden. Achten Sie beim Austausch von Batterien darauf, daß diese entsprechend dem Schema auf dem Batteriefachboden richtig eingesetzt werden. Eine ausführliche Beschreibung der einzelnen Fernbedienungsfunktionen finden Sie in vorherigen Abschnitten dieser Bedienungsanleitung.

TASTEN POWER ON/OFF (NETZSCHALTER)

Schalten Sie mit der Drucktaste ON das Gerät ein, wechselt die Stand-By-Anzeige auf der Frontplatte nach 2 Sekunden von gelb nach grün, wobei die CD-Anzeige automatisch viermal blinkt. Das Gerät ist jetzt betriebsbereit.

Drücken Sie den Schalter OFF, um das Gerät in den Bereitschaftsmodus (Stand-By) zu schalten. Die Stand-By-Anzeige auf der Frontplatte wechselt von grün nach gelb.

Für den C 162 sind die Eingangswahltasten VIDEO 1, VIDEO 3 und die Tasten SPK A und SPK B auf der Fernbedienung SR 5 ohne Funktion.

VIDEO 2

Wählt das Signal von einem an den Buchsen "VIDEO" angeschlossenen Videorekorder (oder Stereo-TV/Kabel-/Satellitenempfänger) als aktiven Eingang.

TUNER

Wählt den TUNER-Eingang am NAD C 162 als aktiven Eingang und stellt AM (Mittelwelle) oder FM (UKW) an einem separaten, fernbedienbaren NAD-Tuner ein.

MUTE (STUMMSCHALTUNG)

Drücken Sie die Taste MUTE auf der Fernbedienung, um die Klangwiedergabe der Lautsprecher oder Kopfhörer kurzzeitig abzuschalten. Der MUTE-Modus wird durch Blinken der LED des aktiven Eingangs angezeigt. Nochmaliges Drücken der Taste MUTE schaltet die Klangwiedergabe wieder ein. "MUTE" beeinflusst Aufnahmen über die TAPE-Ausgänge nicht.

GESAMTLAUTSTÄRKE

▲ oder ▼ erhöht bzw. verringert die Lautstärkeeinstellung. Der motorgesteuerte Lautstärkeinsteller auf der Frontplatte bewegt sich entsprechend der eingestellten Lautstärke.

Zusätzlich zu den Tasten für die direkte Einstellung des Verstärkers NAD C 162 gibt es weitere Tasten für die Steuerung der meisten mit NAD Link ausgestatteten NAD CD-Player und Kassettendecks:

TUNER-EINSTELLUNG

(in Verbindung mit NAD Tuner)

TUNE ◀ oder ▶ sucht die höheren bzw. tieferen Senderfrequenzen für Mittelwelle (AM) und UKW (FM).

PRESET ▲ oder ▼ wählt eine niedrigere bzw. höhere Voreinstellungsnummer.

CD-PLAYER-STEUERUNG (CD PLAYER CONTROL)

(in Verbindung mit NAD CD-Player)

⏸ aktiviert Pause.

■ aktiviert Stop.

▶ aktiviert Wiedergabe oder schaltet zwischen Wiedergabe und Pause um.

▶▶ oder ◀◀ aktiviert Titelspringen. Einmal drücken, um auf den nächsten Titel bzw. auf den Anfang des aktuellen oder vorherigen Titels zu springen.

KASSETTENDECK-STEUERUNG (CASSETTE DECK CONTROL)

(für einfache (DECK B) oder doppelte (A und B)

NAD-Kassettendecks)

◀ oder ▶ aktiviert Vorwärts- oder Rückwärtswiedergabe.

■ stoppt die Wiedergabe

◀◀ aktiviert Zurückspulen.

▶▶ aktiviert schnellen Vorlauf.

HINWEIS

Direkte Sonneneinstrahlung oder sehr helle Umgebungsbeleuchtung kann den Wirkungsbereich und Strahlungswinkel der Fernbedienung beeinträchtigen.

BI-AMPING (GETRENNTE LEISTUNGSVERSTÄRKER)

Manche Lautsprecher sind mit Anschlußklemmen für getrennte LF- (niedrige Frequenzen) und HF- (hohe Frequenzen) Bereiche ausgestattet. Solche Lautsprecher können dadurch im sogenannten "Bi-Amping" betrieben werden, wobei jeweils ein Leistungsverstärker für den niedrigen und hohen Frequenzbereich eingesetzt und die Klangqualität des Gesamtsystems verbessert werden kann.

Um den Anschluß für Bi-Amping zu ermöglichen, bietet der NAD C 162 zwei Vorverstärkerausgänge (PRE OUT 1 & 2). Darüber hinaus kann der Pegel von PRE OUT 2 gegenüber dem Pegel von PRE OUT 1 reduziert werden. So ist eine einfache Anpassung von Leistungsverstärkern mit unterschiedlichen Verstärkungsfaktoren möglich.

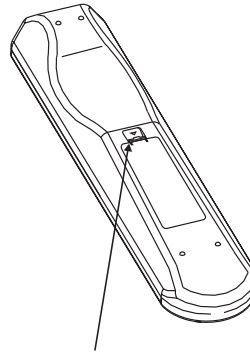
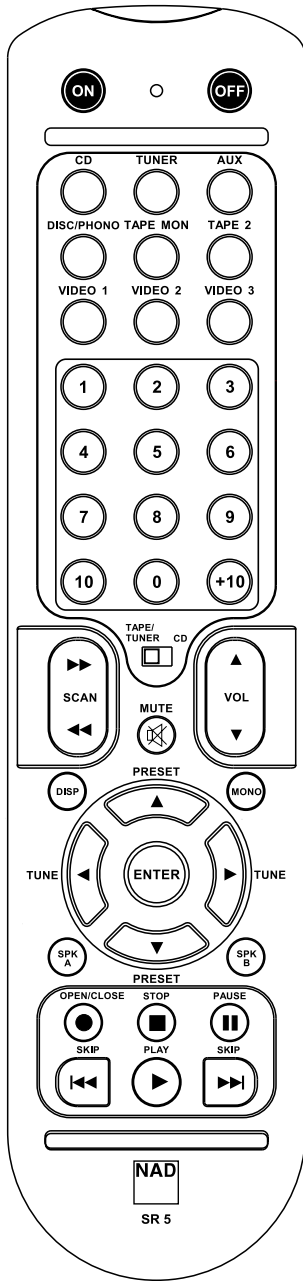
Bevor Sie mehr als einen Leistungsverstärker an den C 162 anschließen, bestimmen Sie zuerst, welcher der beiden Verstärker die höhere Verstärkung hat. Das kann ganz einfach durch Vergleichen der Lautstärke der beiden Verstärker in einem identischen System festgestellt werden (gleiche Lautstärkeeinstellung, gleiche Tonquelle und Lautsprecher). Der Verstärker mit der höheren Lautstärke hat auch den höheren Verstärkungsfaktor (wobei das nicht unbedingt auch derjenige mit der höheren Ausgangsleistung sein muß).

Schließen Sie den Verstärker mit der höheren Verstärkung an PRE OUT 2 (Nr. 12) an und den anderen Leistungsverstärker an den Buchsen PRE OUT 1 (Nr. 11).

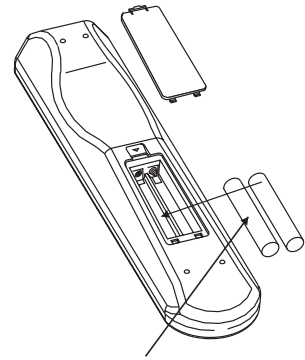
Reduzieren Sie in maximaler Pegelposition (0 dB) mit dem Lautstärkeinsteller VOLUME PRE OUT 2 (Nr. 13) den Ausgangspegel von PRE OUT 2 so weit, bis der Lautstärkepegel beider Leistungsverstärker genau übereinstimmt.

PROBLEMLÖSUNG

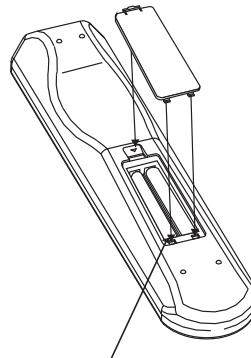
PROBLEM	URSACHE	ABHILFE
KEIN TON	<ul style="list-style-type: none">• Netzkabel ausgesteckt oder Netzschalter nicht "ON"• "Tape 1 Monitor" ausgewählt• "MUTE" aktiv• Leistungsverstärker ist ausgeschaltet• Kopfhörer sind eingesteckt	<ul style="list-style-type: none">• Netzkabel und Netzschalter überprüfen• "Tape 1 Monitor" deaktivieren• "MUTE" deaktivieren• Leistungsverstärker einschalten• Kopfhörer ausstecken
EIN KANAL OHNE TON	<ul style="list-style-type: none">• Balanceeinsteller nicht in Mittelstellung• Gummiisoliertes Anschlußkabel an Leistungsverstärker nicht richtig angeschlossen oder defekt• Eingangsanschlußleitung ausgesteckt oder defekt	<ul style="list-style-type: none">• Balanceeinsteller in Mittelstellung bringen• Anschlußleitungen und Verbindungen überprüfen• Anschlußleitungen und Verbindungen überprüfen
PROBLEM NUR BEI PHONO-EINGANG	<ul style="list-style-type: none">• Kein Signal• Brummen im Phono-Eingang • Signal schwach oder verzerrt	<ul style="list-style-type: none">• MM-MC-Schalter auf korrekte Einstellung überprüfen• Phono-Erdungsleitung auf einwandfreien Anschluß prüfen• Plattenspieler auf korrekten Anschluß am MM- oder MC-Phono-Eingang prüfen
FERNBEDIENUNG FUNKTIONIERT NICHT	<ul style="list-style-type: none">• Batterien leer oder falsch eingelegt• IR-Sender- oder Empfängerfenster verdeckt• IR-Empfänger in direktem Sonnenlicht oder sehr hohe Umgebungsbeleuchtung	<ul style="list-style-type: none">• Batterien überprüfen oder ersetzen• Hindernis beseitigen• Gerät nicht in direktem Sonnenlicht aufstellen, Umgebungsbeleuchtung reduzieren



HINEINDRÜCKEN UND ZUM ABNEHMEN DES BATTERIEFACHDECKELS LASCHE ANHEBEN.

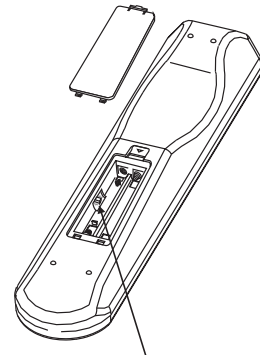


BATTERIEN IN DAS FACH EINLEGEN. AUF EINWANDFREIEN SITZ DER BATTERIEN ACHTEN.



BATTERIEFACHDECKEL DURCH AUSRICHTEN UND EINFÜHREN IN DIE AUSSPARUNGEN WIEDER EINSETZEN.

BATTERIEFACHDECKEL HINEINDRÜCKEN BIS ER MIT EINEM HÖRBAREN KLICK SCHLIESST.



DEV.1 & DEV.2

OPMERKINGEN VOOR DE INSTALLATIE

De NAD C 162 moet op een stevige, vlakke oppervlakte worden geplaatst. Zet de unit niet in direct zonlicht of in de buurt van hitte- of dampbronnen. Zorg voor een goede ventilatie. Plaats de unit niet op een zachte oppervlakte, zoals bijv. tapijt. Plaats de unit niet in een boekenkast of andere omsloten locatie, waar de ventilatie kan worden belemmerd.

Zorg dat de unit en andere componenten van uw systeem zijn uitgeschakeld alvorens iets aan te sluiten.

De RCA-aansluitingen op de NAD C 162 zijn kleur gecodeerd om het aansluiten te vergemakkelijken. Rood en wit zijn respectievelijk de audio-aansluitingen rechts en links, en de gele aansluiting dient voor de NAD-verbinding. Gebruik kabels en aansluitingen van hoge kwaliteit voor een optimale prestatie en betrouwbare werking. De kabels en aansluitingen mogen niet zijn beschadigd en alle connectors moeten stevig op hun plaats worden aangebracht.

Indien de unit langere tijd niet gebruikt zal worden, trek de stekker dan uit de contactdoos.

Indien er vocht in de NAD C 162 terechtkomt, schakel de unit dan uit en trek de stekker uit de contactdoos. Laat de unit door een erkende monteur controleren, alvorens deze weer te gebruiken.

Het dekpaneel niet van het apparaat verwijderen, daar er geen onderdelen zijn die door de gebruiker kunnen worden onderhouden of hersteld. Reinig de unit met een droge, zachte doek. Bevochtig de doek, indien nodig, met een sopje. Gebruik geen oplossingen die benzeen of andere vluchtige middelen bevatten.

AANSLUITINGEN ACHTERPANEEL**1. INGANG MC**

Ingang voor een phono-cartridge met trilspool. Sluit de dubbele RCA-kabel van uw platenspeler op deze ingang aan indien u een cartridge met trilspool gebruikt.

2. INGANG MM

Ingang voor een phono-cartridge met bewegende magneet. Sluit de dubbele RCA-kabel van uw platenspeler op deze ingang aan indien u een cartridge met draaimagneet gebruikt.

3. SCHAKELAAR MC-MM

Activeer deze schakelaar om de phono-ingang die u gebruikt te selecteren.

4. PHONO-AARDINGSCONNECTOR

Dubbele RCA-kabels van platenspelers omvatten vaak één enkele aardingsgeleider. Gebruik de phono-aardingsconnector van de NAD C 162 om deze geleider aan te sluiten. De klem losschroeven om de opening waarin u de draad kan insteken bloot te leggen. Nadat u de geleider heeft ingestoken, dient u de connector weer vast te schroeven om de draad zo te bevestigen.

5. INGANG CD

Ingang voor een cd-speler of een andere signaalbron op lijnniveau. Gebruik een dubbele RCA-naar-RCA-kabel om de linker- en rechter-Audio Outputs van de cd-speler op deze ingang aan te sluiten. De NAD C 162 aanvaardt enkel analoge signalen vanaf de cd-speler.

6. INGANG VIDEO

Ingang voor het audiosignaal vanaf een stereo-videorecorder (of stereo-tv-/satelliet-/kabelontvanger) of andere audiobron op lijnniveau. Sluit de linker- en rechter- Audio Out van de unit met een dubbele RCA-naar-RCA-kabel aan op deze ingangen. N.B.: Dit zijn enkel audio-ingangen.

7. INGANG AUX

Ingang voor extra ingangssignalen op lijnniveau, zoals een andere cd-speler. Gebruik een dubbele RCA-naar-RCA-kabel om de linker- en rechter-Audio outputs van de extra unit op deze ingang aan te sluiten.

8. INGANG TUNER

Ingang voor een tuner of een andere signaalbron op lijnniveau. Gebruik een dubbele RCA-naar-RCA-kabel om de linker- en rechter-Audio outputs van de tuner op deze ingang aan te sluiten.

9. TAPE 2 IN, OUT

Aansluitingen voor analoog opnemen en afspelen naar een audio-cassette recorder van eender welk type. Gebruik dubbele RCA-naar-RCA-kabels en sluit de linker- en rechter-Audio output van de cassette recorder aan op de aansluitingen TAPE 2 IN voor afspelen en cassettebewaking. Sluit de linker- en rechter-Audio Input van de cassette recorder aan op de aansluitingen TAPE 2 OUT voor het opnemen.

10. TAPE 1 IN, OUT

Aansluitingen voor analoog opnemen en afspelen naar een secundaire audio-cassette recorder. Gebruik dubbele RCA-naar-RCA-kabels en sluit de linker- en rechter-Audio output van de cassette recorder aan op de aansluitingen TAPE 1 IN voor weergave en tapebewaking. Sluit de linker- en rechter-Audio Input van de cassette recorder aan op de aansluitingen TAPE 1 OUT voor het opnemen.

11. PRE OUT 1

Op de NAD C 162 kunnen meerdere eindversterkers worden aangesloten. Indien u een enkele stereo-eindversterker gebruikt, gebruik dan de aansluitingen PRE OUT 1.

Indien u een paar eindversterkers gebruikt speciaal voor bi-amping [gebruik van twee versterkers], sluit dan de eindversterker met de laagste versterking van de twee aan op de aansluitingen. Voor nadere inlichtingen, raadpleeg ook het hoofdstuk "Bi-amping" [gebruik van twee versterkers voor LF en HF].

Gebruik een dubbele RCA-naar-RCA-kabel om de linker- en rechter-Audio Input van de eindversterker op de aansluitingen PRE OUT 1 aan te sluiten.

12. PRE OUT 2

U kunt de aansluitingen PRE OUT 2 gebruiken om een extra eindversterker te sturen. Het bedieningselement VOLUME PRE OUT 2 (13) kunt u gebruiken om het uitgangsniveau van de voorversterker naar de eindversterker tot met -12dB te verlagen. Wanneer het bedieningselement VOLUME PRE OUT 2 op maximum staat (op 0dB), is het uitgangsniveau hetzelfde als dat van de aansluitingen PRE OUT 1.

Indien u een paar eindversterkers speciaal voor "Bi-Amping" [gebruik van twee versterkers voor LF en HF] gebruikt, gebruik dan de aansluitingen PRE OUT 2 om de eindversterker met de grootste versterking van de twee aan te sluiten. Door het bedieningselement VOLUME PRE OUT 2 (13) in te stellen, kunt u de geluidsterkte gelijk zetten met die van de eindversterker die aan de aansluitingen PRE OUT 1 zijn verbonden. Voor nadere inlichtingen, raadpleeg ook het hoofdstuk "Bi-amping" [gebruik van twee versterkers voor LF en HF].

Gebruik een dubbele RCA-naar-RCA-kabel om de linker- en rechter-Audio Input van de eindversterker op de aansluitingen PRE OUT 1 aan te sluiten.

13. VOLUME PRE OUT 2 [GELUIDSSTERKTE PRE OUT 2]

Met behulp van het bedieningselement VOLUME Pre Out 2 kunt u het uitgangsniveau van de aansluitingen PRE OUT 2 instellen. Het uitgangsniveau kan worden verlaagd tot met 12dB; wanneer het op maximum is ingesteld (op 0dB), zal het uitgangsniveau gelijk zijn aan dat van de aansluitingen PRE OUT 1. Voor nadere inlichtingen, raadpleeg ook het hoofdstuk "Bi-amping" [gebruik van twee versterkers voor LF en HF].

N.B.:

U dient de voorversterker en aangesloten eindversterkers altijd uit te schakelen alvorens iets aan te sluiten aan of af te sluiten van de aansluitingen Pre Out 1 & 2.

14. NAD LINK IN, OUT (NAD-VERBINDING IN, OUT)

Opdrachten van andere units met NAD-Link-connectors verlopen via de NAD-Link -connector. Op deze manier is een gecentraliseerde regeling van een volledig systeem mogelijk. Bovendien kunnen sommige standaardfuncties van andere NAD-onderdelen (zoals een cd-speler of een cassettespeler) die ook over een NAD-Link beschikken, d.m.v. de afstandsbediening van de voorversterker worden aangestuurd. Om met dergelijke units te kunnen functioneren, sluit de NAD-Link Out van de C 162 aan op de NAD-Link In van de andere unit. NAD-Link-connectors kunnen worden doorgelust, IN op OUT, zodat een heel systeem met de afstandsbediening van één unit kan worden bediend.

15. 12V TRIGGER OUT

De 12V-trigger wordt automatisch geactiveerd wanneer de NAD C 162 van de stand 'Uit' of 'Stand-By' wordt ingeschakeld. Sluit de 12V-trigger aan op een eindversterker of een voedingsbord (AC=wisselstroom) uitgerust met een 12V-trigger-ingang voor het op afstand in- en uitschakelen van dergelijke toestellen. Om aan te sluiten, gebruik een kabel met als uiteinde een mini-jack connector van 3,5 mm aan de kant van de voorversterker.

16. NETSNOER

Steek de stekker van het netsnoer in een wandcontactdoos die onder stroom staat. Voordat de unit op de wandcontactdoos wordt aangesloten, moeten alle andere aansluitingen zijn gemaakt.

17. GESCHAKELDE EN ONGESCHAKELDE AANSLUITINGEN (ENKEL DE AH-VERSIE)

De netsnoeren van andere stereo-apparaten, zoals bijv. een cd-speler, kunnen op deze bijhorende aansluitingen worden aangesloten. Apparaten die op het geschakelde stopcontact "switched" zijn aangesloten, zullen worden in- en uitgeschakeld wanneer de voorversterker van de stand 'Uit' of 'Stand-By' wordt ingeschakeld en omgekeerd.

Het ongeschakelde stopcontact dat wordt aangegeven als "unswitched" wordt steeds van stroom voorzien op voorwaarde dat het netsnoer van de NAD C 162 in een wandcontactdoos steekt die onder stroom staat. Dit stopcontact kan worden gebruikt voor apparaten die misschien continu onder stroom dienen te staan; sommige tuners vergen een ononderbroken stroomtoevoer om bijv. het geheugen van de voorinstellingen te bewaren.

N.B.:

Het totale stroomverbruik van ieder component dat op de AC-uitgangen is aangesloten, mag niet hoger zijn dan 100 W. Het netsnoer van een eindversterker NOOIT op de geschakelde [Switched] en ongeschakelde [Unswitched] aansluitingen van de NAD C 162 aansluiten.

SNEL BEGINNEN

- 1 Sluit een dubbele RCA-kabel aan op een eindversterker.
- 2 Sluit de gewenste bronnen aan op de betreffende ingangsaansluitingen op het achterpaneel.
- 3 Sluit de luidsprekers aan op de eindversterker.
- 4 Sluit het netsnoer aan.
- 5 Druk op de aan/uit-toets [POWER] om de NAD C 162 in te schakelen.
- 6 Schakel de eindversterker in.
- 7 Druk op de gewenste ingangskeuzetoets.

BEDIENINGSELEMENTEN FRONTPANEEL

1. AAN/UIT [POWER]

Druk op de POWER-toets om de voorversterker op 'Stand-by' te zetten. De standby-indicator (nr. 2) boven de aan-/uit-toets [POWER] wordt oranje. Op het frontpaneel, druk op eender welke ingangskeuzetoets om de voorversterker in te schakelen. Druk op de **POWER ON-toets** van de afstandsbediening om de unit in te schakelen. De Stand-by-indicator zal van oranje naar groen schakelen om aan te geven dat de unit ingeschakeld en gebruiksklaar is.

N.B.:

Wanneer de C 162 op stand-by staat, verbruikt hij zeer weinig stroom. U wordt echter aanbevolen de unit volledig uit te schakelen indien u deze langer dan enkele dagen niet zult gebruiken. Schakel de unit volledig uit door op de aan-/uit-toets [POWER] op het frontpaneel te drukken (nr. 1). Alle lichtjes doven.

2. STAND-BY-INDICATOR

De LED van de indicator biedt informatie over de stand van de NAD C 162:

Off (uit): De unit is geheel uitgeschakeld.

Oranje: De unit staat in stand-by modus.

Groen: De unit is ingeschakeld en gebruiksklaar.

De LED zal ook knipperen wanneer de voorversterker een opdracht van de bijgeleverde afstandsbediening ontvangt.

3. KOPTELEFOONAANSLUITING

Voor het luisteren via een koptelefoon is een stereo-aansluiting van 6 mm aangebracht, waarop conventionele koptelefoons met eender welke impedantie kunnen worden aangesloten. Door een koptelefoonjack in dit stopcontact te steken, wordt de uitgang van de aansluitingen PRE OUT 1 & 2 op het achterpaneel automatisch afgesloten. De bedieningselementen voor het volume, de toon en de balans kunnen worden gebruikt voor het luisteren via een koptelefoon. Gebruik een geschikte adapter om een koptelefoon op een andere type aansluiting aan te sluiten, zoals bijv. 3,5 mm stereo-connectors voor een walkman.

N.B.:

Bij hoge volumes kan uw gehoor beschadigd raken.

4. ONTVANGSTSENSOR INFRAROODAFSTANDSBEDIENING

De infraroodsensor, achter dit ronde venster, ontvangt de opdrachten van de afstandsbediening. De ruimte tussen de afstandsbediening en dit venster moet leeg zijn; indien er zich hierin voorwerpen bevinden, kan het zijn dat de afstandsbediening niet werkt.

5. INGANGSKEUZETOETSEN

Met behulp van deze toetsen selecteert u de actieve ingang naar de NAD C 162 en het signaal dat naar de uitgangen Tape en de aansluitingen PRE OUT 1 & 2 wordt gezonden. De toetsen op de afstandsbediening hebben dezelfde functies als deze toetsen, met uitzondering van de tuner-ingang (zie hieronder). Een indicator boven elke ingangskleuzetoets geeft aan welke ingang er werd geselecteerd.

PHONO selecteert de platenspeler die ofwel op de aansluitingen PHONO MM of MC als de actieve ingang is aangesloten. Door op de toets DISC op de SR 5-afstandsbediening te drukken selecteert u de phono-ingang.

CD Hiermee wordt de cd-speler (of andere lijnniveau-bron) die op de CD-aansluitingen is aangesloten, als actieve ingang geselecteerd.

VIDEO Hiermee wordt de videorecorder (of stereo tv-/satelliet-/kabelvoorversterker) die op de VIDEO-aansluitingen is aangesloten, als actieve ingang geselecteerd. Door op de toets VIDEO 2 op de SR 5-afstandsbediening te drukken selecteert u de VIDEO-ingang.

AUX Hiermee wordt een lijnniveau-bron die op de AUX-aansluitingen is aangesloten, als actieve ingang geselecteerd.

TUNER Hiermee wordt de tuner (of andere lijnniveau-bron) die op de Tuner-aansluitingen is aangesloten, als actieve ingang geselecteerd. De afstandsbediening beschikt over afzonderlijke toetsen voor AM en FM; druk op eender welke toets om de tuner-ingang van de C 162 te selecteren.

TAPE 2 Hiermee wordt Tape 2 als actieve ingang geselecteerd.

TAPE 1 Monitor Selecteert de uitgang van een cassette recorder voor het spelen van cassettes of voor het monitoren van opnames die via de Tape 1-aansluitingen worden opgenomen. Druk eenmaal op de toets Tape 1 om tape 1 te selecteren en nogmaals om de normale ingangselectie te hervatten. Tape 1 is een cassettebewakingsfunctie waarmee de huidige ingangselectie niet wordt opgeheven. Indien bijvoorbeeld de cd-speler de actieve ingang is wanneer TAPE 1 wordt geselecteerd, dan blijft het cd-signaal geselecteerd en wordt het naar de aansluitingen TAPE 2 en TAPE 1 OUTPUT gestuurd, maar het geluid van de recorder die op Tape 1 is aangesloten, is te horen. Er licht een oranje indicator op om aan te geven dat Tape 1 is ingeschakeld, en de groene indicator voor de actieve ingang blijft ook branden.

N.B.:

De afstandsbediening die bij de C 162 wordt geleverd is een universele NAD-afstandsbediening, waarmee verschillende NAD-modellen kunnen worden bediend. Let wel dat sommige toetsen op deze afstandsbediening niet werken daar hun functies niet aanwezig zijn op de C 162. De ingangskleuzetoetsen Video 2 en Video 3 op de afstandsbediening werken niet in het geval van de C 162.

6. DRAAIKNOPPEN VOOR HOGE EN LAGE TONEN

De NAD C 162 is uitgerust met draaiknoppen voor hoge tonen (TREBLE) en lage tonen (BASS), waarmee de toonbalans van het systeem kan worden afgesteld. De 12-uursstand is de "ruststand", zonder versterking of vermindering. Deze positie wordt door een inkeping aangegeven. Draai de knop rechtsom om de lage of hoge tonen te versterken. Draai de knop linksom om de lage of hoge tonen te verminderen. De bedieningselementen Tone hebben geen invloed op opnames die via de uitgangen Tape worden gemaakt.

7. TONE DEFEAT (TOONAFSTELLINGEN BLOKKEREN)

De schakelaar TONE DEFEAT zorgt voor een omleiding rond het toonregelgedeelte van de NAD C 162. Wanneer u de toonregel-elementen gewoonlijk niet gebruikt en wanneer u ze in de 12-uursstand laat staan, dan is het aangeraden het toonregelgedeelte geheel uit te schakelen met behulp van deze schakelaar. In de uitstand zijn de toonregelcircuits actief. Wanneer de schakelaar TONE DEFEAT wordt "ingedrukt", wordt het toonregelgedeelte genegeerd.

8. BALANCE (BALANS)

Met de draaiknop BALANCE worden de relatieve niveaus van de linker- en rechterluidsprekers afgesteld. Op de 12-uursstand is het niveau naar de linker- en rechterkanalen gelijk. Deze stand wordt door een inkeping aangegeven.

Wanneer de knop naar rechts wordt gedraaid, gaat de balans naar rechts. Wanneer de knop naar links wordt gedraaid, gaat de balans naar links. Het bedieningselement BALANCE heeft geen invloed op opnames die via de uitgangen Tape werden gemaakt.

9. VOLUME

Met de knop VOLUME wordt de algehele geluidsterkte van de signalen naar de luidsprekers verhoogd. Dit wordt door een motor aangedreven en kan met de afstandsbediening worden ingesteld. Het bedieningselement VOLUME heeft geen invloed op opnames die via de uitgangen Tape werden gemaakt.

Op de afstandsbediening, druk op de MUTE-toets om de geluidssignalen naar de luidsprekers en koptelefonen tijdelijk uit te schakelen. Deze modus wordt aangegeven door een knipperende LED voor de actieve ingang. Druk nogmaals op MUTE om het geluid te herstellen. MUTE is niet van invloed op opnames die via de Tape-uitgangen zijn gemaakt, maar is wel van invloed op het signaal dat naar de voorversterkeruitgang (Pre Out) gaat.

EEN OPNAME MAKEN

Het signaal van de geselecteerde bron wordt rechtstreeks naar eender welke cassette recorder gestuurd die is aangesloten op de uitgang TAPE 2 of TAPE 1, zodat het signaal kan worden opgenomen.

VAN TAPE NAAR TAPE KOPIEREN

U kan tussen twee cassette recorders die aan uw NAD C 162 zijn aangesloten kopiëren. Steek de broncassette in de cassette recorder die aan Tape 2 is aangesloten en steek een blanco cassette in de cassette recorder die aan Tape 1 is aangesloten. Door de ingang TAPE 2 te selecteren, kan u nu van Tape 2 naar Tape 1 kopiëren en het signaal dat van de originele cassette komt monitoren.

AFSTANDSBEDIENING

Met de afstandsbediening kunnen de belangrijkste functies van de NAD C 162 worden uitgevoerd. Bovendien bevat deze extra toetsen voor het op afstand bedienen van NAD-tuners, cassettespelers en cd-spelers. Hij werkt tot op een afstand van 5 m.

Voor een maximale levensduur worden alkalische batterijen aangeraden. Er dienen twee AAA-batterijen (R 03) in het batterijvakje achterop de afstandsbediening te worden geplaatst. Let er bij het vervangen van batterijen op dat ze in de juiste richting worden geplaatst, zoals aangegeven op de bodem van het batterijvakje.

Zie de eerdere hoofdstukken in deze handleiding voor een volledige beschrijving van de verschillende functies.

TOETSEN POWER ON/OFF

Druk op ON om de unit in te schakelen. Het licht van de Standby-indicator op het frontpaneel zal binnen 2 seconden van oranje naar groen schakelen. Ondertussen knippert de CD-indicator viermaal automatisch. De unit is nu gebruiksklaar.

Druk op OFF om de unit op stand-by te zetten; de Stand-by-indicator op het frontpaneel zal van groen naar oranje schakelen.

De ingangskleuzetoetsen VIDEO 1, VIDEO 3, en de toetsen SPK A en SPK B op de SR 5-afstandsbediening werken niet in het geval van de C 162.

VIDEO 2

VIDEO Hiermee wordt de videorecorder (of stereo tv-/satelliet-/kabelvoorversterker) die op de VIDEO-aansluitingen is aangesloten, als actieve ingang geselecteerd.

TUNER

Hiermee wordt de tuningang op de NAD C 162 en de AM- of FM-golfband op een aparte, met de afstandsbediening regelbare NAD tuner, geselecteerd.

MUTE (GELUID DEMPEN)

Druk op de toets MUTE (dempen) om tijdelijk het geluid naar de luidsprekers en de koptelefoons uit te schakelen. Deze modus wordt aangegeven door de knipperende LED van de actieve ingang. Druk nogmaals op MUTE om het geluid te herstellen. Mute heeft geen invloed op opnames die via de uitgangen Tape zijn opgenomen.

MASTER VOLUME [HOOFDGELUIDSSTERKTE]

▲ of ▼ verhoogt of verlaagt de geluidssterkte respectievelijk. De gemotoriseerde volumeknop op het frontpaneel geeft het geselecteerde niveau aan.

Buiten de opdrachten die op de NAD C 162 versterker zelf betrekking hebben, zijn er nog andere toetsen waarmee de meeste NAD-cd-spelers en cassettespelers, die zijn uitgerust met een NAD-verbinding, kunnen worden bediend:

TUNER-BEDIENING

(voor gebruik met NAD Tuner)

TUNE ◀ of ▶ scant respectievelijk de hogere of lagere radiozenders zowel op AM en FM.

PRESET ▲ of ▼ selecteert respectievelijk de hogere of lagere voorinstellingsnummers van de radiozenders.

CD PLAYER-BEDIENING

(voor gebruik met NAD-cd-speler)

- || activeert Pause
- activeert Stop
- ▶ activeert Play of schakelt tussen Play en Pause
- ▶▶ of ◀◀ activeert het overslaan van geluidssporen; Druk er éénmaal op om respectievelijk naar het volgende geluidsspoor over te gaan of terug naar het begin van het huidige of het eerdere geluidsspoor te gaan.

BEDIENING VAN DE CASSETTESPELER (VOOR GEBRUIK MET ENKEL (SPELER B) OF DUBBEL TRANSPORT (A EN B) NAD-CASSETTESPELERS)

- ◀ of ▶ activeert het voorwaarts spelen en achterwaarts spelen.
- stopt het spelen
- ◀◀ activeert het achterwaarts spoelen
- ▶▶ activeert het snel voorwaarts spoelen

N.B.:

Rechtstreeks zonlicht of zeer felle omgevingsverlichting kan van invloed zijn op het bereik en de hoek waarmee de afstandsbediening kan worden gebruikt.

BI-AMPING

[GEBRUIK VAN TWEE VERSTERKERS VOOR LF EN HF]

Sommige luidsprekers hebben afzonderlijke aansluitingen voor de LF- (Lage Frequentie) en HF- (Hoge Frequentie) delen van de luidspreker. Zo is het mogelijk twee versterkers aan deze luidsprekers aan te sluiten [“Bi-Amping”], en dit wil zeggen dat er een afzonderlijke eindversterker wordt gebruikt voor het LF- en het HF-deel. Dit procédé kan de algemene klank verbeteren.

De NAD C 162 beschikt over twee paar voorversterkeruitgangen (PRE OUT 1 & 2) om de aansluitingen voor “LF en HF” te vergemakkelijken. Bovendien kan het niveau van de PRE OUT 2 worden verminderd t.o.v. de PRE OUT 1 zodat u eindversterkers kan gebruiken met verschillende versterking (versterkingsfactor).

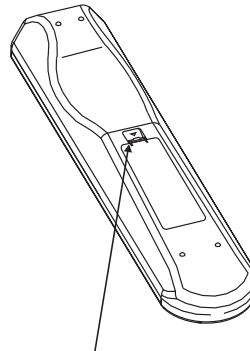
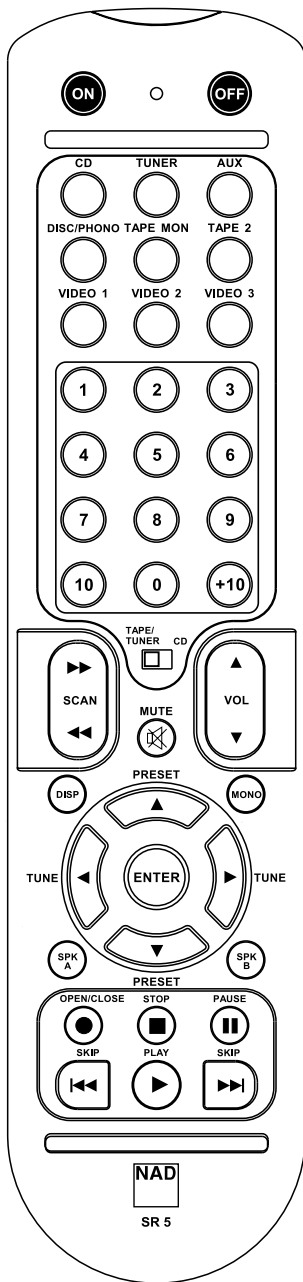
Alvorens eindversterkers aan uw NAD C 162 aan te sluiten, dient u eerst te beslissen welke eindversterker de meeste versterking biedt. Dit kunt u makkelijk doen door de geluidssterkte van de eindversterkers van éénzelfde installatie te vergelijken (zorg ervoor dat de geluidssterkte op hetzelfde niveau is ingesteld; gebruik dezelfde bron en luidsprekers). De versterker die het luidst speelt biedt de hoogste versterking (let wel dat dit niet betekent dat dit de versterker is met het hoogste vermogen).

Sluit de versterker met de hoogste versterking aan op de PRE OUT 2 (Nr. 12)-aansluitingen; en de andere eindversterker aan op de PRE OUT 1 (Nr. 11)-aansluitingen.

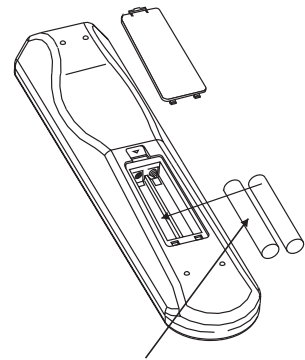
Vanaf de stand met het maximum niveau (0dB), gebruik het bedieningselement VOLUME PRE OUT 2 (Nr. 13) om het uitgaand niveau van de PRE OUT 2 te verminderen zodat beide eindversterkers op hetzelfde niveau zijn ingesteld.

PROBLEMEN OPLOSSEN

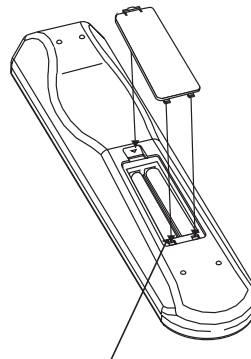
PROBLEEM	OORZAAK	OPLOSSING
GEEN KLANK	<ul style="list-style-type: none">• Netsnoer niet aangesloten of unit niet ingeschakeld• Tape 1 Monitor geselecteerd• Mute ingeschakeld• Eindversterker is uitgeschakeld• Koptelefoons aangesloten	<ul style="list-style-type: none">• Controleer of netsnoer is ingestoken en unit is ingeschakeld• Schakel modus Tape 1 Monitor uit• Schakel Mute uit• Schakel de eindversterker in• Sluit de koptelefoons af
GEEN KLANK OP EEN KANAAL	<ul style="list-style-type: none">• Het bedieningselement Balance is niet gecentreerd• RCA-kabel naar eindversterker is niet behoorlijk aangesloten of is beschadigd• Ingangskabel ontkoppeld of beschadigd	<ul style="list-style-type: none">• Centreer het bedieningselement Balance• Controleer kabels en aansluitingen• Controleer kabels en aansluitingen
ENKEL EEN PROBLEEM OP DE INGANG PHONO	<ul style="list-style-type: none">• Geen signaal• Zoemend geluid op de ingang Phono• Zwak of vervormd signaal	<ul style="list-style-type: none">• Controleer dat de MM-MC-schakelaar correct is ingesteld• Controleer dat de phono-aardingsgeleider is aangesloten• Controleer dat de platenspeler aan de correcte MM- of MC-phono-ingang is aangesloten
AFSTANDBEDIENING WERKT NIET	<ul style="list-style-type: none">• Batterijen leeg of onjuist geplaatst• Venster van IR-zender of -ontvanger niet vrij• IR-ontvanger in direct zonlicht of zeer sterk omgevingslicht	<ul style="list-style-type: none">• Controleer en/of vervang batterijen• Verwijder de hindernis• Haal unit uit direct zonlicht, verminder hoeveelheid omgevingslicht



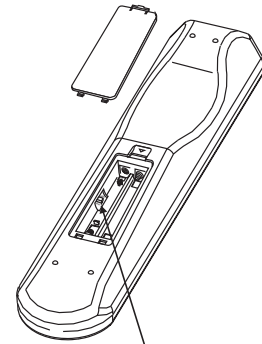
HET LIJPE INDRUKKEN EN OPHEFFEN OM HET BATTERIJDEKSEL UIT DE ZITTING TE VERWIJDEREN



STEEK DE BATTERIEN IN HET BATTERIJVAKJE. ZORG ERVOOR DAT U DE BATTERIEN CORRECT IN HET BATTERIJVAKJE STEEKT.



HET BATTERIJDEKSEL TERUG AANBRENGEN DOOR DE TWEE LIJPEJES UIT TE LIJNEN EN IN DE GATEN AAN TE BRENGEN. DRUK HET BATTERIJDEKSEL TERUG OP ZIJN PLAETS TOTDAT HET VASTKLIKT.



DEV.1 & DEV.2

NOTAS SOBRE LA INSTALACION.

Su NAD C 162 debe colocarse sobre una superficie firme y nivelada. Evite colocar el equipo a la luz directa del sol o cerca de calor o humedad. Deje una ventilación adecuada. No coloque el equipo sobre una superficie blanda como una alfombra. No lo coloque en una zona cerrada, como una estantería o armario, que impida el paso del aire por las ranuras de ventilación. Cerciñese de que la unidad y otros componentes de su sistema estén apagados antes de realizar conexión alguna.

Las tomas RCA de su NAD C 162 tienen un código de colores para mayor comodidad. El rojo y el blanco son audio de Derecha e Izquierda respectivamente, y el amarillo es para la Conexión NAD (NAD Link). Utilice conductores y tomas de alta calidad para rendimiento y fiabilidad óptimos. Asegure que los conductores y tomas no estén dañados en modo alguno y que las tomas estén enchufadas firmemente hasta el fondo.

Si el equipo no va a usarse durante algún tiempo, desconecte el enchufe de la toma de CA.

Si penetra agua en su NAD C 162, corte la alimentación eléctrica al equipo y retire el enchufe de la toma de CA. Haga que inspeccione el equipo un técnico de servicio cualificado antes intentar usarlo otra vez. No quite la cubierta, no hay piezas en el interior que puedan ser objeto de servicio por el usuario.

Use un paño suave y seco para limpiar el equipo. Si fuere necesario, humedezca un poco el paño con agua jabonosa. No use soluciones que contengan benzol ni otros agentes volátiles.

CONEXIONES DEL PANEL TRASERO**1. ENTRADA MC (MC INPUT)**

Entrada para un cartucho de fonógrafo de Bobina Móvil (Moving Coil). Conecte el conductor doble RCA desde su plato a esta entrada si está usando un cartucho de Bobina Móvil.

2. ENTRADA MM (MM INPUT)

Entrada para un cartucho de fonógrafo de Imán Móvil. Conecte el conductor doble RCA desde su plato a esta entrada si está utilizando un cartucho de Imán Móvil.

3. CONMUTADOR MC-MM (MC-MM SWITCH)

Utilice este conmutador para seleccionar la entrada de fonógrafo que esté utilizando.

4. CONECTOR DE TIERRA DE FONOGRAFO

Es frecuente que los conductores dobles RCA desde platos incluyan también un conductor de tierra de un solo hilo. Utilice el conector de tierra del fonógrafo NAD C 162 para conectar este conductor. Desenrosque el terminal para dejar visible el agujero al que puede acoplarse el conductor. Después de insertarlo, apriete el terminal para sujetar el conductor.

5. ENTRADA DE CD (CD INPUT)

Entrada para una fuente de señal de CD u otra señal de nivel de línea. Use un conductor doble RCA-a-RCA para conectar las 'Salidas de Audio' ('Audio Outputs') izquierda y derecha del reproductor de CD a esta entrada. El NAD C 162 acepta únicamente señales analógicas de su reproductor de CD.

6. ENTRADA DE VIDEO (VIDEO INPUT)

Entrada para la señal de audio procedente de una cámara de grabación de vídeo VCR (o receptor estéreo de TV/Satélite/Cable) u otra fuente de audio de nivel de línea. Usando conductores dobles RCA-a-RCA, conecte la 'Salida de Audio' de izquierda y derecha del equipo a estas entradas. Nota: Estas son entradas de audio únicamente.

7. ENTRADA DE AUDIO (AUX INPUT)

Entrada para señales de entrada de nivel de línea adicional como otro reproductor CD. Use un conductor doble RCA-a-RCA para conectar las 'Salidas de Audio' de derecha e izquierda de los equipos auxiliares a esta entrada.

8. ENTRADA DE SINTONIZADOR (TUNER INPUT)

Entrada para un Sintonizador u otra fuente de señal de nivel de línea. Use un conductor doble RCA-a-RCA para conectar las 'Salidas de Audio' izquierda y derecha del Sintonizador a esta entrada.

9. ENTRADA, SALIDA DE CINTA 2 (TAPE 2 IN, OUT)

Conexiones para grabación y reproducción analógicas para una grabadora de cinta de audio de cualquier tipo. Usando conductores dobles RCA-a-RCA, conecte la 'Salida de Audio' de izquierda y derecha de la máquina de cintas a las tomas de ENTRADA DE CINTA 2 (TAPE 2 IN) para escucha y control de cintas. Conecte la 'Entrada de Audio' de izquierda y derecha de la máquina de cintas a las tomas de SALIDA DE CINTA 2 (TAPE 2 OUT) para grabar.

10. ENTRADA, SALIDA DE CINTA 1 (TAPE 1 IN, OUT)

Conexiones para grabación y escucha analógicas para una grabadora de cinta de audio secundaria de cualquier tipo. Usando conductores dobles RCA-a-RCA, conecte la 'Salida de Audio' de izquierda y derecha de la máquina de cintas a las tomas ENTRADA DE CINTA 1 (TAPE 1 IN) para escucha y control de cintas. Conecte la 'Entrada de Audio' de izquierda y derecha de la máquina de cintas a las tomas de SALIDA DE CINTA 1 (TAPE 1 OUT) para grabar.

11. SALIDA DE PREAMPLIFICADOR 1 (PRE-OUT 1)

El NAD C 162 permite la conexión de amplificadores múltiples de potencia. Si está utilizando un solo amplificador de potencia estéreo, utilice las tomas de SALIDA DE SALIDA DE PREAMPLIFICADOR 1 (PRE OUT 1). Si está utilizando un par de amplificadores de potencia específicamente para Bi-amplificación (Bi-amping), utilice las tomas para conectar el amplificador de potencia con la ganancia más baja del par. Véase también el capítulo titulado "Bi-amplificación" ("Bi-Amping") para más información.

Use un conductor doble RCA-a-RCA para conectar la 'Entrada de Audio' de izquierda y derecha del amplificador de potencia con las tomas de SALIDA DE PREAMPLIFICADOR 1 (PRE-OUT 1).

12. SALIDA DE PREAMPLIFICADOR 2 (PRE-OUT 2)

Las tomas de SALIDA DE PREAMPLIFICADOR 2 (PRE OUT 2) pueden usarse para excitar un amplificador de potencia adicional. El control de VOLUMEN DE SALIDA DEL PREAMPLIFICADOR 2 (VOLUME PRE OUT 2) (13) se puede utilizar para reducir hasta en -12db el nivel de salida del preamplificador al amplificador de potencia. Con el control de VOLUMEN DE SALIDA DEL PREAMPLIFICADOR 2 (VOLUME PRE OUT 2) ajustado en la posición máxima (posición de 0dB), el nivel de salida será idéntico al nivel de las tomas de SALIDA DEL PREAMPLIFICADOR 1 (PRE OUT 1).

Si está usted usando un par de amplificadores de potencia específicamente para Bi-amplificación (Bi-Amping), use las tomas de SALIDA DEL PREAMPLIFICADOR 2 (PRE OUT 2) para conectar el amplificador de potencia con la ganancia más alta del par. Ajustando el control VOLUMEN DE SALIDA DEL PREAMPLIFICADOR 2 (VOLUME PRE OUT 2) (13) puede hacerse coincidir exactamente el volumen con el del amplificador de potencia conectado a las tomas de SALIDA DEL PREAMPLIFICADOR 1 (PRE OUT 1). Vea también el capítulo titulado "Bi-amplificación (Bi-Amping)" para más información.

Use un conductor doble RCA-a-RCA para conectar la 'Entrada de Audio' de izquierda y derecha del amplificador de potencia con las tomas de SALIDA DEL PREAMPLIFICADOR 1 (PRE OUT 1).

13. VOLUMEN DE SALIDA DEL PREAMPLIFICADOR 2 (VOLUME PRE-OUT 2)

El control del VOLUMEN DE SALIDA DEL PREAMPLIFICADOR 2 (VOLUME Pre Out 2) permite ajustar el nivel de salida de las tomas de SALIDA DEL PREAMPLIFICADOR 2 (PRE OUT 2). El nivel de salida se puede reducir en hasta 12dB; cuando se ajusta en la posición máxima (en la posición de 0dB), el nivel de salida será idéntico al de las tomas de SALIDA DEL PREAMPLIFICADOR 1 (PRE OUT 1). Vea también el capítulo titulado "Biamplificación (Bi-Amping)" para más información.

NOTA:

Desconecte siempre el preamplificador y los amplificadores de potencia afines, antes de conectar o desconectar algo en o de las tomas de Salidas del preamplificador 1 y 2 (Pre-Out 1 & 2).

14. ENTRADA, SALIDA DE CONEXION NAD (NAD LINK IN, OUT)

El conector NAD-Link se usa para transmitir órdenes de otros equipos que tengan conectores NAD-Link. Esto permite control central de un sistema completo, y también algunas de las funciones básicas de otros componentes NAD (como reproductores CD o platina de cassetes) también equipados con NAD-Link que se controlan con el mando a distancia del receptor. Para funcionar con tales otros equipos, conecte la salida "NAD-Link" del C 162 con la entrada "NAD-Link" del otro equipo. Los conectores NAD-Link se pueden encadenar en margarita, IN con OUT, de modo que un sistema completo puede controlarse desde los dispositivos de mando a distancia de un solo equipo.

15. SALIDA DE DISPARADOR DE 12V (12V TRIGGER OUT)

El disparador de 12V se activa automáticamente cuando el NAD C 162 se conecta desde desconectado o reserva (stand-by). Conecte el disparador de 12V a un amplificador de potencia o a una toma de potencia de salida de CA dotada de una entrada de disparador de 12V para conexión/desconexión a distancia de esos dispositivos. Utilice un cable terminado en un conector de minienchufe de clavija de 3,5mm para conexión en el extremo del preamplificador.

16. CORDON DE LINEA DE CA (AC LINE CORD)

Enchufe el cordón de línea de CA a una toma de pared de CA con corriente. Asegure que todas las conexiones se hayan hecho antes de conectar con la alimentación eléctrica de la red.

17. TOMAS DE CORRIENTE CONECTADAS Y DESCONECTADAS (SWITCHED AND UNSWITCHED POWER OUTLETS) (VERSIÓN AH SOLAMENTE)

Los cordones de corriente CA de otros componentes estéreos, tales como un reproductor de CD, se pueden enchufar a estas tomas accesorias. Los componentes enchufados a la toma marcada como "conectada" ("switched") se conectarán y desconectarán cuando el preamplificador se conecte desde reserva (stand-by) o desconexión y viceversa.

La corriente de la red se halla siempre disponible en la toma marcada "no conmutada" ("unswitched") en tanto el cordón de corriente del NAD C 162 esté enchufado a una toma de pared de CA con corriente. Esta toma se puede utilizar para componentes que requieran alimentación continua de la red de CA; algunos sintonizadores requieren alimentación ininterrumpida de la red, para conservar la memoria preajustada, por ejemplo.

NOTA:

El consumo eléctrico total de cualesquiera componentes conectados a las tomas de CA no puede sobrepasar los 100 Vatios. Nunca conecte el conductor de la red de un amplificador de potencia a las tomas ya sean conmutadas o no conmutadas del NAD C 162.

INICIO RAPIDO

- 1 Conecte un conductor doble RCA a un amplificador de potencia.
- 2 Conecte las fuentes deseadas a la correspondientes tomas de entrada de la parte trasera.
- 3 Conecte los altavoces al amplificador de potencia.
- 4 Enchufe el cordón de alimentación de CA.
- 5 Pulse el botón de ALIMENTACION (POWER) para poner en "On" el NAD C 162.
- 6 Conecte el amplificador de potencia.
- 7 Pulse el selector de entrada requerido.

CONTROLES DEL PANEL DELANTERO.

1. POWER ON/OFF [ALIMENTACIÓN CONECTADA/DESCONECTADA]

Pulse el botón de ALIMENTACION (POWER) para conectar al preamplificador a su modo de 'Reserva' ('Stand-by'). El indicador de Reserva (Stand-by) (Nº 2) que está encima del botón de alimentación se iluminará en ámbar. En el panel delantero, pulse cualquiera de los botones selectores de entradas para conectar el preamplificador. Desde el mando a distancia, pulse el botón de **ALIMENTACION (POWER ON)**, para conectar la unidad. El indicador de Reserva (Stand-by) cambiará de ámbar a verde para indicar que se ha realizado la conexión y está en disposición de utilizarse.

NOTA:

En el modo de Reserva (Stand-by) el C 162 consume muy poca corriente eléctrica. No obstante, recomendamos que desconecte totalmente el equipo si no lo va a usar durante más de un par de días. Desconéctelo completamente pulsando el botón de ALIMENTACION (POWER) del panel delantero (No. 1) y se apagarán todas las luces.

2. INDICADOR DE RESERVA (STAND-BY)

El indicador LED facilita información sobre el estado del NAD C 162:

En "Off": La unidad está totalmente desconectada.

Ambar: La unidad está en modo de reserva (stand-by).

Verde: La unidad está conectada y en disposición de utilizarla.

El LED también parpadeará cuando el preamplificador reciba una orden desde el mando a distancia suministrado.

3. TOMA DE AURICULARES (HEADPHONE SOCKET)

Se suministra una toma de enchufe estéreo de 1/4 de pulgada para escuchar con auriculares que funciona con auriculares convencionales de cualquier impedancia. Insertando un enchufe en esta toma se desconecta automáticamente la salida a las tomas de SALIDA DEL PREAMPLIFICADOR 1 Y 2 (PRE OUT 1 & 2) del panel trasero. Los controles de volumen, tono y equilibrio funcionan para escuchar con auriculares. Use un adaptador adecuado para conectar los auriculares con otros tipos de tomas, como enchufes estéreo de 3,5 mm. de 'estéreo personal'.

NOTA:

Si escucha con niveles altos puede dañar sus oídos.

4. RECEPTOR DE ORDENES DEL MANDO A DISTANCIA DE INFRARROJOS

El sensor de infrarrojos, situado detrás de la ventanilla circular, recibe órdenes del mando a distancia. Debe haber un paso libre de obstáculos de línea de mira desde el mando a distancia a esta ventanilla; si tal paso está obstruido, el mando a distancia puede que no funcione.

5. SELECTORES DE ENTRADA

Estos botones seleccionan la entrada activa al NAD C 162 y la señal enviada a las salidas de Cinta (Tape) y a las tomas de SALIDA DEL PREAMPLIFICADOR 1 Y 3 (PRE OUT 1 & 2). Los botones del mando a distancia duplican estos botones, con excepción de entrada de sintonizador; véase más adelante. Un LED encima de cada botón selector de entrada indica qué entrada ha sido seleccionada.

FONOGRAFO (PHONO) selecciona el plato conectado bien sea a las tomas del FONOGRAFO (PHONE) MM o MC como entrada activa. Pulsando el botón de DISCO (DISC) del mando a distancia SR 5 se selecciona la entrada del fonógrafo (phono).

CD Selecciona el CD (u otra fuente de nivel de línea) conectado a las tomas CD, como entrada activa.

VIDEO Selecciona la VCR (o preamplificador estéreo de TV/Satélite/Cable) conectada a las tomas VIDEO, como entrada activa. Pulsando el botón de VIDEO 2 en el mando a distancia SR 5 se selecciona la entrada de VIDEO.

AUX Selecciona una fuente de nivel de línea conectada a las tomas AUX, como entrada activa.

SINTONIZADOR (TUNER) Selecciona el sintonizador (u otra fuente de nivel de línea) conectado a las tomas del Sintonizador (Tuner), como entrada activa. El mando a distancia tiene botones separados para AM y FM, pulsando uno de los dos se selecciona la entrada al sintonizador del C 162

CINTA 2 (TAPE 2) Selecciona la Cinta 2 (Tape 2) como entrada activa.

Monitor de CINTA 1 (TAPE 1 Monitor) Selecciona la salida desde una grabadora de cinta cuando se reproducen cintas the output o monitoreando grabaciones que se estén realizando a través de tomas de la Cinta 1 (Tape 1). Pulse el botón de CINTA 1 (TAPE 1) una vez para seleccionarlo y otra vez para volver a la selección de entrada normal. Cinta 1 (Tape 1) es una función de Monitor de cintas que no anula la selección de entrada actual. Por ejemplo, si el CD es la entrada activa cuando se ha seleccionado Cinta 1 (TAPE 1), entonces la señal de CD continuará siendo seleccionada y enviada a ambas tomas de SALIDA DE CINTA 2 (TAPE 2) y CINTA 1 (TAPE 1), pero el sonido que se oír será el procedente de la grabadora conectada a Cinta 1 (Tape 1). Además de encenderse el LED ámbar para indicar que se ha activado la Cinta 1 (Tape 1), también permanecerá encendido el LED verde para la entrada activa.

NOTA:

El mando a distancia que se suministra con el C 162 es de tipo NAD universal, diseñado para hacer funcionar varios modelos NAD. Algunos botones de este mando a distancia no funcionan porque las funciones no están soportadas por el C 162. Los botones selectores de entrada de Video 2 y Video 3 del mando a distancia no funcionan en el caso del C 162.

6. CONTROLES DE BAJOS Y TREMOLOS (BASS & TREBLE)

El NAD C 162 está equipado con controles de tono de BAJOS (BASS) y TREMOLOS (TREBLE) para ajustar el equilibrio tonal de su sistema.

La posición de las 12 horas es 'plana' sin refuerzo ni corte y un detente indica esta posición. Gire el control a la derecha para aumentar la cantidad de Bajos (Bass) o Trémolos (Trebble). Gire el control a la izquierda para disminuir la cantidad de Bajos (Bass) o Trémolos (Trebble). Los controles de Tono (Tone) no afectan las grabaciones realizadas utilizando las salidas de Cinta (Tape).

7. DESACTIVACION DE TONOS (TONE DEFEAT)

El interruptor DESACTIVACION DE TONOS (TONE DEFEAT) circunvala la sección de control de tono del NAD C 162. Si los Controles de Tono (Tone Controls) no se usan normalmente y se dejan en la posición de las 12 horas, es aconsejable desconectar completamente la sección de Control de Tonos (Tone Control) usando este interruptor. En la posición afuera ('out'), los circuitos de Control de Tonos (Tone Control) están activos, si se empuja el interruptor DESACTIVACION DE TONOS (TONE DEFEAT) adentro ('in') se circunvala la sección de Control de Tonos (Tone Control)..

8. EQUILIBRIO (BALANCE)

El control EQUILIBRIO (BALANCE) ajusta los niveles relativos de los altavoces de izquierda y derecha. La posición de las 12 horas da un nivel igual a los canales izquierdo y derecho. Hay un detente que indica esta posición. Girando el control a la derecha se mueve el equilibrio a la derecha. Girando el control a la izquierda se mueve el equilibrio a la izquierda. El control del EQUILIBRIO (BALANCE) no afecta las grabaciones realizadas utilizando las salidas de Cinta (Tape).

9. VOLUME (VOLUMEN)

El control VOLUME ajusta el nivel general de las señales que se alimentan a los altavoces. Es accionado por motor y se puede ajustar desde el mando a distancia.. El control de VOLUMEN (VOLUME) no afecta las grabaciones realizadas utilizando las salidas de Cinta (Tape).

En el mando a distancia, pulse el botón de SILENCIAMIENTO (MUTE) para poner temporalmente en "off" el sonido que va a los altavoces y auriculares. Se indica Silenciamiento (Mute) con el indicador de entrada activa en intermitente. Pulse otra vez SILENCIAMIENTO (MUTE) para restablecer el sonido. El Silenciamiento (Mute) no afecta las grabaciones realizadas utilizando las salidas de Cinta (Tape). pero afecta a la señal que va a la salida del Preamplificador (Pre Out).

PARA HACER UNA GRABACION

Cuando se selecciona cualquier fuente de sonido, su señal se alimenta también directamente a cualquier máquina de cintas conectada a las SALIDAS DE CINTA 2 o CINTA 1 (TAPE 2 or TAPE 1 OUTPUTS) para grabaciones.

COPIA DE CINTA A CINTA

Usted puede copiar entre dos máquinas de cinta conectadas a su NAD C 162. Ponga la cinta de fuente en la grabadora conectada a Cinta 2 (Tape 2) y la cinta en blanco en la grabadora conectada a Cinta 1 (Tape 1). Si se selecciona la Entrada de CINTA 2 (TAPE 2 Input), usted puede ahora grabar de la Cinta 2 (Tape 2) a la Cinta 1 (Tape 1) y controlar la señal procedente de la cinta original.

MANDO A DISTANCIA

El mando a distancia sirve para todas las funciones de tecla del NAD C 162 y tiene controles adicionales para hacer funcionar remotamente Sintonizadores, máquinas de casetes y CD NAD. Funcionará a una distancia de hasta 5 m.

Recomendamos pilas alcalinas para máxima vida de funcionamiento. Deben montarse dos pilas AAA (R 03) en el compartimiento de pilas situado en la parte trasera del mando a distancia. Al cambiar las pilas, compruebe que se pongan en la dirección correcta, que se indica en la base del compartimiento de pilas.

Rogamos consulte las secciones anteriores del manual para una descripción completa de las funciones individuales.

BOTONES DE ALIMENTACION "ON"/"OFF"

Pulse "ON" para conectar la unidad y el indicador de Reserva (Standby) del panel delantero cambiará de ámbar a verde en 2 segundos, mientras tanto, el indicador CD parpadeará automáticamente 4 veces. La unidad se halla ahora lista para utilizarla.

Pulse "OFF" para poner la unidad en reserva (standby); el indicador de Reserva (Stand-by) del panel delantero cambiará de verde a ámbar.

Los selectores de entrada de VIDEO 1, VIDEO 3, y los botones de ALTAVOZ A (SPK A) y ALTAVOZ B (SPK B) del mando a distancia SR 5 son inoperantes cuando se usan con el C 162.

VIDEO 2

Selecciona la VCR (o preamplificador estéreo de TV/Satélite/Cable) conectada a las tomas VIDEO, como entrada activa.

SINTONIZADOR (TUNER)

Selecciona la entrada de Sintonizador (Tuner) del NAD C 162 y la banda AM o FM respectivamente en un Sintonizador NAD separado remoto controlable.

SILENCIAMIENTO (MUTE)

Pulse el botón de SILENCIAMIENTO (MUTE) para poner temporalmente en "off" el sonido a los altavoces y auriculares. Se indica Silenciamiento (Mute) con el indicador de entrada activa en intermitente. Pulse otra vez SILENCIAMIENTO (MUTE) para restablecer el sonido. El Silenciamiento (Mute) no afecta las grabaciones realizadas utilizando las salidas de Cinta (Tape).

VOLUMEN PRINCIPAL (MASTER VOLUME)

▲ o ▼ respectivamente aumenta o disminuye el ajuste de volumen. El Control de Volumen motorizado del panel delantero indica el ajuste de nivel.

Aparte de las órdenes correspondientes al amplificador C 162 mismo, hay otros botones que hacen funcionar la mayoría de los reproductores CD NAD y platinas de cassetes equipados con Enlace NAD (NAD Link):

CONTROL DE SINTONIZADOR (TUNER CONTROL)

(para uso con Sintonizador NAD)

SINTONIZACION (TUNE) ◀ o ▶ explora frecuencias de estación respectivamente más altas o más bajas para ambos AM y FM.

El PREAJUSTE (PRESET) ▲ o ▼ selecciona respectivamente el preajuste de estación de número más alto o más bajo.

CONTROL DE REPRODUCTOR DE CD (CD PLAYER CONTROL)

(para utilizarlo con el Reproductor de CD de NAD)

|| activa Pausa (Pause)

■ activa Parada (Stop)

▶ activa Reproducción (Play) o alterna entre Reproducción (Play) y Pausa (Pause)

▶▶ o ◀◀ activa salto de Pista (Track), pulse una vez para ir respectivamente a la pista siguiente o volver al principio de la pista actual o anterior.

CONTROL DE PLATINA DE CASETES (CASSETTE DECK CONTROL)

(para utilizarlo con transporte sencillo (PLETINA B) (DECK B) o doble (A y B) de Platinas de Casetes NAD)

◀ o ▶ activa Reproducción adelante (Forward Play) o Reproducción Inversa (Reverse Play) [x]

◀◀ activa Rebobinado (Rewind)

▶▶ activa Rebobinado rápido hacia adelante (Fast Forward)

NOTA:

La luz solar directa o una iluminación ambiental muy brillante pueden afectar el alcance y ángulo operativo del mando a distancia.

BIAMPLIFICACION (BI-AMPING)

Algunos altavoces tienen terminales separados de conexión para las secciones LF (Baja frecuencia) (Low Frequency) y HF (Alta frecuencia) (High Frequency) del altavoz. Esta prestación permite poner estos altavoces en "Bi-amplificación" ("Bi-Amp"), en la que se usa un amplificador de potencia separado para la sección LF y HF, lo cual puede mejorar la calidad general del sonido.

El NAD C 162 provee dos conjuntos de salidas de preamplificador (SALIDA DE PREAMPLIFICADOR 1 Y 2) (PRE OUT 1 & 2) para facilitar las conexiones para Bi-amplificación (Bi-Amping). Además, el nivel de SALIDA DE PREAMPLIFICADOR 2 (PRE OUT 2) puede reducirse respecto a la SALIDA DEL PREAMPLIFICADOR 1 (PRE OUT 1) para que sirva para amplificadores de potencia con diferente ganancia (factor de amplificación)

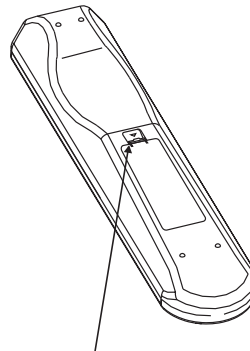
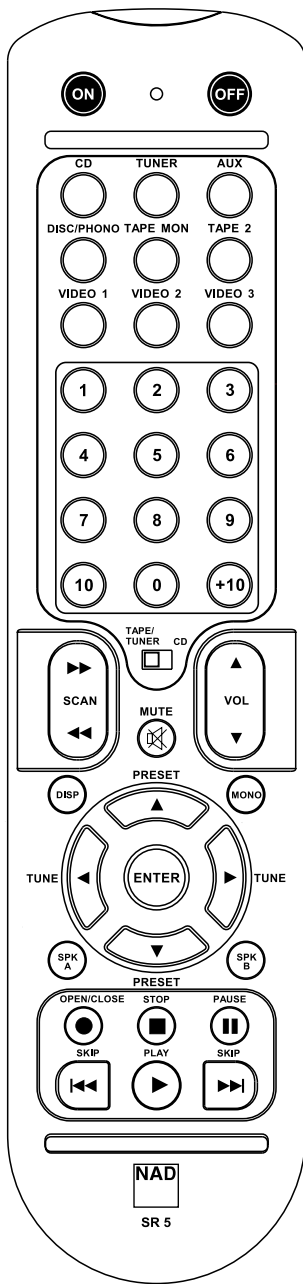
Para ajustar el C 162 con amplificadores de potencia decida primero qué amplificador de potencia tiene la ganancia más alta. Esto se hace fácilmente comparando el nivel de elevación de sonido de los amplificadores de potencia de un sistema idéntico (mantenga el control de volumen al mismo nivel, use la misma fuente de sonido y los mismos altavoces). El amplificador en que se escuche el sonido más fuerte tiene la ganancia más alta (observe que no ha de ser necesariamente el amplificador más potente de los dos).

Conecte el amplificador con ganancia más alta a las tomas de SALIDA DEL PREAMPLIFICADOR 2 (PRE OUT 2) (Nº 12); el otro amplificador de potencia a las tomas de SALIDA DE PREAMPLIFICADOR 1 (PRE OUT 1) (Nº 11).

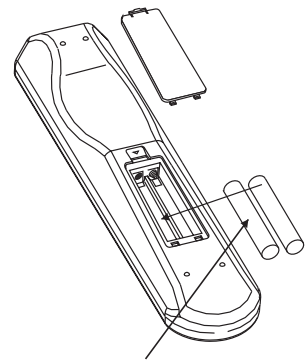
A partir de la posición de nivel máximo (0dB), use el control VOLUME PRE OUT 2 (No. 13) para reducir el nivel de SALIDA DEL PREAMPLIFICADOR 2 (PRE OUT 2) de modo que el nivel de volumen de ambos amplificadores de potencia coincida exactamente.

LOCALIZACION DE AVERIAS

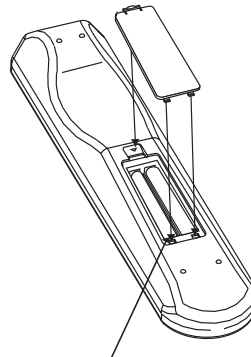
PROBLEMAS	CAUSA	SOLUCIÓN
NO HAY SONIDO	<ul style="list-style-type: none">• Conductor de alimentación eléctrica CA no enchufado o no conectado• Monitor de Cinta 1 (Tape 1 Monitor) seleccionado• Silenciamiento (Mute) conectado• Amplificador de potencia desconectado• Auriculares insertados	<ul style="list-style-type: none">• Compruebe si el conductor de CA está enchufado y la alimentación está conectada• Deseleccione el modo de Monitor de Cinta 1 (Tape 1 Monitor)• Desconecte el Silenciamiento (Mute)• Conecte el amplificador de potencia• Desenchufe los auriculares
NO HAY SONIDO EN UN CANAL	<ul style="list-style-type: none">• Control del Equilibrio (Balance) no centrado• Conductor RCA al amplificador de potencia no conectado correctamente o dañado• Conductor de entrada desconectado o dañado	<ul style="list-style-type: none">• Centre el control del Equilibrio (Balance)• Compruebe conductores y conexiones• Compruebe conductores y conexiones
PROBLEMA EN ENTRADA DE FONOGRAFO SOLAMENTE	<ul style="list-style-type: none">• Ausencia de señal• Zumbido en entrada del fonógrafo• Señal débil o distorsionada	<ul style="list-style-type: none">• Compruebe que el conmutador MM-MC esté fijado correctamente• Compruebe que el conductor de tierra del fonógrafo esté conectado• Compruebe que el plato esté conectado a la entrada correcta MM o MC del fonógrafo
NO FUNCIONA EL MANDO A DISTANCIA	<ul style="list-style-type: none">• Pilas descargadas o mal insertadas• Ventanillas de transmisor o receptor de Rayos Infrarrojos obstruidas• Receptor de Rayos Infrarrojos bajo luz solar directa o luz ambiente brillante	<ul style="list-style-type: none">• Compruebe o cambie las pilas• Elimine la obstrucción• Coloque el equipo lejos de la luz solar directa, reduzca la luz ambiental



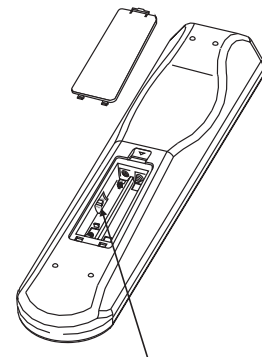
EMPUJE Y LEVANTE LA OREJETA PARA RETIRAR LA TAPA DE LAS PILAS FUERA DE LA CAVIDAD



COLOQUE LAS PILAS DENTRO DE LA ABERTURA. ASEGURESE DE QUE SE RESPETE SU COLOCACION CORRECTA



MONTE DE NUEVO LA TAPA DE LAS PILAS ALINEADO E INSERTANDO LAS DOS OREJETAS EN LOS ORIFICIOS. EMPUJE LA TAPA DE LAS PILAS HASTA QUE HAGA CLIC AL CERRARSE



DEV.1 & DEV.2

NOTE RELATIVE ALL'INSTALLAZIONE

Occorre collocare il NAD C 162 su una superficie robusta ed in piano. Evitare di collocare l'unità in posizioni assolate oppure vicino a fonti di calore o umidità. Assicurarsi che vi sia ventilazione sufficiente. Non collocare l'unità su una superficie soffice, tipo un tappeto. Non collocare l'unità in aree chiuse, ad esempio dentro librerie o scaffali che possono impedire il passaggio di aria tramite le aperture di ventilazione. Assicurarsi che l'unità e gli altri componenti dell'impianto siano spenti prima di perfezionare qualsiasi connessione.

Le prese RCA sul NAD C 162 sono contraddistinte da codice colori per maggior comodità. Il rosso ed il bianco indicano l'audio lati Destro e Sinistro, il giallo è per il collegamento NAD-Link.

Per garantire prestazioni ottimali e la massima affidabilità delle connessioni, usare sempre ed esclusivamente cavi e prese di alta qualità. Assicurarsi che i cavi e le prese non siano danneggiati in alcun modo e che tutte le prese siano ben calzate.

Se non si intende usare l'unità per un certo periodo di tempo, scollegare la spina dalla presa CA.

Se il NAD C 162 venisse a contatto con acqua, spegnere l'alimentazione elettrica e scollegare la spina dalla presa CA. Prima di tentare di accendere l'unità, farla controllare da un tecnico specializzato.

Non togliere il coperchio, dal momento che al suo interno non vi sono componenti riparabili dall'utente.

Pulire l'unità usando un panno soffice ed asciutto. Se necessario, inumidire leggermente il panno con un po' di acqua e sapone. Non usare soluzioni a base di benzolo o altri prodotti volatili.

CONNESSIONI DEL PANNELLO POSTERIORE

1. ENTRATA MC

Entrata per testina di pick-up elettrodinamica. Collegare il doppio cavo RCA dal giradischi a questa entrata se si usa testina elettrodinamica.

2. ENTRATA MM

Entrata per testina di pick-up a magnete mobile. Collegare il doppio cavo RCA dal giradischi a questa entrata se si usa testina a magnete mobile.

3. INTERRUPTORE MC-MM

Usare questo interruttore per selezionare l'entrata fono che si sta utilizzando.

4. CONNETTORE "PHONO GROUND" (MASSA PICK-UP)

Spesso i doppi cavi RCA dal giradischi sono dotati di un cavo di massa a filo singolo. Usare il connettore di massa del fono del NAD C162 per collegare questo cavo. Svitare il terminale in modo da scoprire il foro nel quale va inserito il cavo. Dopo l'inserimento, serrare il terminale in modo da pizzicare saldamente il cavo.

5. ENTRATA CD

Entrata per un CD o altra sorgente di segnale di livello. Usare un doppio cavo RCA-RCA per collegare le uscite di livello sinistra e destra "Audio Outputs" del CD player a questa entrata. Il NAD C 162 accetta soltanto segnali analogici provenienti dal CD player.

6. ENTRATA VIDEO

Entrata per il segnale audio proveniente da un VCR stereo (o ricevitore TV stereo/satellite/cavo) o altra sorgente audio di livello. Usando doppi cavi RCA-RCA, collegare "Audio Out" sinistro e destro dell'unità a queste entrate. Nota: queste sono solo entrate audio.

7. ENTRATA AUX (ENTRATA GRUPPI AUSILIARI)

Entrata per segnali supplementari di entrata di livello, ad esempio un altro CD player. Usare un doppio cavo RCA-RCA per collegare gli "Audio Outputs" sinistro e destro dell'unità ausiliaria a questa entrata.

8. ENTRATA DEL SINTONIZZATORE

Entrata per un sintonizzatore o altra sorgente di segnale di livello. Usare un doppio cavo RCA-RCA per collegare gli "Audio Outputs" sinistro e destro del sintonizzatore a questa entrata.

9. TAPE 2 IN, OUT

Connessioni per registrazione ed ascolto analogici ad un registratore a nastro di qualsiasi tipo. Usando doppi cavi RCA-RCA, collegare 'Audio Output' sinistro e destro del registratore alle prese TAPE 2 IN per l'ascolto e controllo del nastro. Collegare 'Audio Input' sinistro e destro del registratore alle prese TAPE 2 OUT per la registrazione.

10. TAPE 1 IN, OUT

Connessioni per registrazione ed ascolto analogici ad un registratore ausiliario a nastro di qualsiasi tipo. Usando doppi cavi RCA-RCA, collegare 'Audio Output' sinistro e destro del registratore alle prese TAPE 1 IN per l'ascolto e controllo del nastro. Collegare l'entrata sinistro e destro 'Audio Input' del riproduttore per nastro alle prese TAPE 1 OUT per la registrazione.

11. PRE OUT 1

Il NAD C162 consente di collegare vari amplificatori di potenza. Se si usa un unico amplificatore stereo, utilizzare allora le prese "PRE OUT 1".

Se si usa una coppia di amplificatori di potenza per il Bi-amping, utilizzare allora le prese per collegare il preamplificatore con il guadagno minimo dei due. Per maggiori informazioni, fare riferimento al capitolo "Bi-amping". Usare un doppio cavo RCA-RCA per collegare 'Audio Input' sinistro e destro all'amplificatore di potenza alle prese PRE OUT 1.

12. PRE OUT 2

Le prese PRE OUT 2 possono essere usate per un amplificatore di potenza supplementare. Il comando VOLUME PRE OUT 2 (13) può essere usato per ridurre il livello di uscita del preamplificatore all'amplificatore di potenza a -12 Db. Quando il comando VOLUME PRE OUT è impostato alla posizione massima (posizione 0 dB), il livello di uscita sarà identico a quello delle prese PRE OUT 1.

Se si usa una coppia di amplificatori di potenza specificatamente per il Bi-amping, utilizzare le prese PRE OUT 2 per collegare l'amplificatore di potenza con il guadagno massimo dei due. Regolando il comando VOLUME PRE OUT 2 (13) è possibile abbinare perfettamente il livello del volume rispetto all'amplificatore di potenza connesso alle prese PRE OUT 1. Per maggiori informazioni, fare riferimento al capitolo "Bi-amping".

Usare un doppio cavo RCA-RCA per collegare 'Audio Input' sinistro e destro all'amplificatore di potenza alle prese PRE OUT 1.

13. VOLUME PRE OUT 2

Il comando VOLUME Pre Out 2 consente di regolare il livello dell'uscita delle prese PRE OUT 2. Il livello dell'uscita può essere ridotto fino a 12 Db; quando impostato alla posizione massima (posizione 0 Db), il livello dell'uscita sarà identico a quello delle prese PRE OUT 1. Per maggiori informazioni, fare riferimento al capitolo "Bi-amping".

NOTA

Spegnere sempre il preamplificatore e tutti gli amplificatori di potenza associati prima di collegare o scollegare qualsiasi cosa alle/dalle prese Pre-Out 1 e 2.

14. NAD LINK IN, OUT

Il connettore NAD-Link viene usato per inviare comandi dalle altre unità dotate di connettori NAD-Link. In questo modo si ottiene un perfetto controllo centralizzato dell'intero sistema e si ha inoltre la possibilità di controllare tramite il telecomando dell'amplificatore alcune delle funzioni basilari di altri componenti NAD (ad esempio: il telecomando per il riproduttore per CD o cassette). Per assicurare un funzionamento perfetto con le altre unità, collegare il NAD-Link Out del C 162 al NAD-Link In sull'altra unità. I connettori NAD-Link possono essere concatenati a margherita IN ad OUT in modo da poter controllare un intero impianto tramite i telecomandi di un'unità.

15. 12V TRIGGER OUT

Il 12V trigger si attiva automaticamente portando il NAD C162 da spento o standby ad acceso. Collegare il trigger 12V all'amplificatore o alla basetta della presa C.A. con un'entrata trigger 12V per l'accensione/spegnimento a distanza di questi dispositivi. Per la connessione, usare un cavo terminato con connettore Mini-Jack da 3,5 mm sul lato preamplificatore.

16. CAVO DI ALIMENTAZIONE CA

Collegare il cavo CA in una presa a muro CA in tensione. Assicurarsi che tutte le connessioni siano state perfezionate a regola d'arte prima di collegare l'unità alla rete.

17. USCITE DI ALIMENTAZIONE COMMUTATE E NON COMMUTATE (SOLO VERSIONE AH)

I cavi di alimentazione CA degli altri componenti stereo (ad esempio, un CD player) possono essere collegati a queste prese ausiliarie. I componenti collegati alle prese marcate "switched" si accenderanno e spegneranno quando il preamplificatore viene portato dal modo standby o spento ad acceso e viceversa.

L'alimentazione di rete è sempre disponibile sulla presa marcata "unswitched" fintantoché il cavo di alimentazione del NAD C162 è collegato alla presa a muro CA in tensione. Questa presa può essere usata per quei componenti che potrebbero richiedere un'alimentazione continua dalla rete CA; ad esempio, alcuni sintonizzatori richiedono alimentazione ininterrotta per mantenere attiva la memoria.

NOTA

Il consumo totale di corrente dei componenti collegati alle uscite CA non deve superare 100 watt. Non collegare mai il cavo di alimentazione dell'amplificatore ad altre prese commutate o non commutate del NAD C162.

AVVIAMENTO RAPIDO

- 1 Collegare un doppio cavo RCA all'amplificatore.
- 2 Collegare le sorgenti desiderate alle particolari prese di entrata sul retro.
- 3 Collegare i diffusori all'amplificatore di potenza.
- 4 Allacciare il cavo di alimentazione CA.
- 5 Premere il pulsante POWER per accendere il NAD C 162.
- 6 Accendere l'amplificatore di potenza
- 7 Premere il selettore di entrata richiesto.

COMANDI DEL PANNELLO ANTERIORE

1. POWER ON/OFF (ACCESO/SPENTO).

Premere il pulsante POWER per portare il preamplificatore nel modo 'Stand-by'. La spia Stand-by (N. 2) sul pulsante dell'alimentazione si accenderà con luce di color ambra. Agendo sul pannello anteriore, premere uno dei pulsanti selettori di entrata per accendere il preamplificatore. Dal telecomando, premere il pulsante **POWER ON** per accendere l'unità. La spia del modo "Stand-by" passa da color ambra a verde per indicare che è acceso e pronto per l'uso.

NOTA

Quando si trova in modo Stand-by, il C 162 consuma pochissima corrente. Tuttavia, si consiglia di spegnere completamente l'unità se si ritiene che non verrà utilizzata per più di un paio di giorni. Spegnerla completamente premendo il pulsante dell'alimentazione POWER sul pannello anteriore (N. 1): tutte le luci si spengono.

2. SPIA STAND-BY

Il LED della spia fornisce informazioni in merito alla condizione del NAD C162:

Off: l'unità è completamente spenta.

Ambra: l'unità si trova in modo "Stand-by"

Verde: l'unità è accesa e pronta all'uso.

Il LED lampeggia inoltre quando il preamplificatore capta un telecomando inviato dal trasmettitore.

3. PRESA PER CUFFIE

Viene fornita la presa jack stereo da un quarto di pollice per l'ascolto in cuffia: questa presa è perfetta per tutte le cuffie convenzionali, qualunque sia la loro impedenza. Inserendo un jack per cuffia in questa presa si spegne automaticamente l'uscita alle prese PRE OUT 1 e 2 sul pannello posteriore. I comandi volume, tonalità ed equilibrio acustico funzionano per l'ascolto in cuffia. Utilizzare un adattatore idoneo per collegare la cuffia con tipi differenti di prese, ad esempio spine a jack 'personal stereo' da 3,5 mm.

NOTA

L'ascolto ad alto volume può danneggiare l'udito.

4. RICEVITORE TELECOMANDO AD INFRAROSSI

Il sensore ad infrarossi, montato dietro la finestrella rotonda, riceve i comandi dal telecomando. Il percorso rettilineo tra il telecomando e questa finestrella non deve essere ostruito; in caso contrario, il telecomando non sempre funziona come prescritto.

5. SELETTORI DI ENTRATA

Questi pulsanti selezionano l'entrata attiva al NAD C 162 e il segnale trasmesso alle uscite Tape e alle prese PRE-OUT 1 e 2. I pulsanti sul telecomando rappresentano il doppiante, ad eccezione dell'entrata per il sintonizzatore; vedere sotto. Un LED sopra ciascun pulsante selettore d'input indica quale entrata è stata selezionata.

PHONO Seleziona il giradischi collegato alle prese PHONO MM oppure MC quale entrata attiva. Premendo il pulsante DISC sul telecomando SR 5 si seleziona l'entrata Phono.

CD Sceglie il CD (o altra sorgente di livello di linea) collegato alle prese del CD quale entrata attiva.

VIDEO Seleziona il VCR (oppure il preamplificatore stereo TV/Satellite/Cavo) collegato alle prese VIDEO quale entrata attiva. Premendo il pulsante VIDEO 2 sul telecomando SR 5 si seleziona l'entrata VIDEO.

AUX Seleziona un'altra sorgente di livello collegata alle prese AUX quale entrata attiva.

TUNER Sceglie il sintonizzatore (o altra sorgente di livello) collegato alle prese Tuner quale entrata attiva. Il telecomando è dotato di pulsanti separati per AM ed FM: premendo uno di questi si seleziona l'entrata per il sintonizzatore C 162.

TAPE 2 Seleziona Tape 2 quale entrata attiva.

TAPE 1 Monitor Seleziona l'uscita dal registratore quando si ascoltano nastri o si controllano registrazioni tramite le prese Tape 1. Premere una volta il pulsante Tape 1 per selezionarlo; premerlo nuovamente per ritornare alla selezione dell'entrata normale. Tape 1 è una funzione per il controllo del nastro che non esclude la selezione dell'entrata attuale. Ad esempio, se il CD si trova in condizione di input attivo quando si seleziona TAPE 1, il segnale per il CD continua ad essere selezionato e trasmesso alle prese OUTPUT TAPE 2 e TAPE 2 ma è il suono proveniente dal registratore collegato a Tape 1 che viene ascoltato. Oltre al LED ambra che conferma l'inserimento della cassetta Tape 1, il LED verde per l'entrata attiva rimane acceso.

NOTA

Il telecomando fornito con il C 162 è del tipo universale NAD, realizzato specificatamente in modo da funzionare perfettamente con vari modelli NAD. Alcuni pulsanti di questo telecomando non sono abilitati in quanto le relative funzioni non trovano riscontro nel C 162. I pulsanti dei selettori Video 2 e Video 3 sul telecomando non funzionano per il C 162.

6. COMANDI PER LA REGOLAZIONE DI ALTI E BASSI

Il NAD C 162 è dotato di comandi di tono per i bassi e gli alti per regolare il bilanciamento tonale dell'impianto.

La posizione "ore dodici" conferma la condizione detta piatta senza amplificazione o interruzione: la posizione è indicata da un arresto. Girare il comando in senso orario per aumentare l'intensità dei Bassi o degli Alti. Girare il comando in senso antiorario per diminuire l'intensità dei Bassi o degli Alti. I comandi di tono non influenzano le registrazioni effettuate usando le uscite nastro.

7. ESCLUSIONE TONI

L'interruttore TONE DEFEAT bypassa la sezione dei comandi di tono del NAD C 162. Se i comandi di tono di solito non si usano, e si lasciano pertanto nella posizione "ore 12", si suggerisce allora di cancellare completamente la sezione Tone Control usando questo interruttore. Nella posizione 'out', i circuiti Tone Control sono attivi; premendo l'interruttore TONE DEFEAT si bypassa la sezione Tone Control.

8. BILANCIAMENTO

Il comando BALANCE regola i livelli relativi dei diffusori sinistro e destro. La posizione "ore dodici" fornisce pari livelli ai canali di sinistra e di destra. Questa posizione è indicata da un incavo.

Ruotando il comando in senso orario si sposta il bilanciamento acustico verso destra. Ruotando il comando in senso antiorario si sposta il bilanciamento acustico verso sinistra. Il comando BALANCE non ha alcun effetto sulle registrazioni effettuate usando le uscite del nastro.

9. VOLUME

Il comando VOLUME regola l'intensità sonora totale dei segnali alimentati ai diffusori. E' motorizzato e può essere regolato dal telecomando. Il comando VOLUME non ha alcun effetto sulle registrazioni effettuate usando le uscite del nastro.

Premere il pulsante MUTE sul telecomando per eliminare provvisoriamente il suono ai diffusori e alla cuffia. Il modo di silenziamento è indicato dal lampeggio del LED dell'entrata attiva. Premere nuovamente MUTE per ripristinare il suono. Con il silenziamento non si pregiudica la registrazione in corso con le uscite Tape, ma si pregiudica il segnale che viene portato all'uscita del preamplificatore (Pre Out).

COME EFFETTUARE UNA REGISTRAZIONE

Selezionando una qualsiasi sorgente, il relativo segnale viene portato direttamente anche al registratore collegato agli OUTPUT TAPE 2 oppure TAPE 1 per la registrazione.

COME COPIARE DA NASTRO A NASTRO

E' possibile copiare tra due registratori collegati al NAD C 162. Inserire il nastro originale nel registratore collegato a Tape 2 ed inserire il nastro vergine nel registratore collegato a Tape 1. Selezionando l'entrata TAPE 2 è ora possibile registrare dal Nastro 2 al Nastro 1, controllando inoltre il segnale che proviene dal nastro originale.

TELECOMANDO

Il telecomando serve per tutte le funzioni principali del NAD C 162 ed ha inoltre comandi supplementari per i sintonizzatori, i riproduttori per cassette e CD della NAD. Funziona fino ad una distanza massima di 5 metri.

Per garantire la massima durata di funzionamento si consigliano batterie alcaline. Lo scomparto sul retro del telecomando va dotato di due batterie AAA (R 03). Quando si sostituiscono le batterie, controllare sempre che siano state infilate nel verso giusto, come appunto indicato all'interno dello scomparto portabatterie.

Si prega di fare riferimento alle sezioni precedenti del Manuale per una descrizione più completa di tutte le singole funzioni.

POWER ON/OFF (ACCESO/SPENTO)

Premere il pulsante ON per accendere l'unità, la spia Stand-by sul pannello anteriore passerà da ambra a verde entro due secondi, mentre la spia del CD lampeggia automaticamente quattro volte. L'unità è ora pronta per l'uso.

Premere OFF per commutare l'unità a standby; la spia Stand-by sul pannello anteriore passerà da verde ad ambra.

I selettori di entrata VIDEO 1, VIDEO 3 ed i pulsanti SPK A e SPK B sul telecomando SR 5 non funzionano se usati con il C 162.

VIDEO 2

Seleziona il VCR (oppure il preamplificatore stereo TV/Satellite/Cavo) collegato alle prese VIDEO, quale entrata attiva.

SINTONIZZATORE

Seleziona l'entrata del sintonizzatore sul NAD C 162 e le gamme d'onda AM oppure FM su un sintonizzatore NAD separato con telecomando.

MUTE

Premere il pulsante MUTE per interrompere provvisoriamente il suono ai diffusori e alla cuffia. Il modo di silenziamento è indicato dal lampeggio del LED dell'entrata attiva. Premere nuovamente MUTE per ripristinare il suono. Con la tacitazione non si pregiudica la registrazione in corso con gli output Tape.

VOLUME PRINCIPALE "MASTER VOLUME"

▲ o ▼ rispettivamente aumenta o diminuisce l'impostazione del volume. La manopola per il comando motorizzato del volume sul pannello indica il livello impostato.

Oltre ai comandi relativi all'amplificatore NAD C 162, vi sono altri pulsanti che azionano la maggior parte dei riproduttori NAD per CD e per cassette con Nad-Link:

CONTROLLO SINTONIZZATORE

(da usare con il sintonizzatore NAD)

TUNE ◀ o ▶ scansiona rispettivamente le frequenze delle stazioni superiori o inferiori sia per AM sia per FM.

PRESET ▲ o ▼ seleziona rispettivamente la preimpostazione di una stazione con numero superiore oppure inferiore.

CONTROLLO CD PLAYER

(da usare con il CD player NAD)

⏸ inserisce la Pausa.

■ inserisce lo Stop.

▶ inserisce Play (Riproduzione) o alterna tra Play (Riproduzione) e Pause (Pausa).

▶▶ o ◀◀ inserisce il salto di una pista (Track Skip); premere una volta per passare alla pista successiva oppure per ritornare all'inizio della pista precedente o a quella in ascolto.

CONTROLLO CASSETTE DECK

(Da usare con cassette deck NAD

a trasporto unico (DECK B) o doppio (A e B)

◀ o ▶ inserisce Riproduzione avanti oppure indietro.

■ arresta la riproduzione

◀◀ inserisce il Riavvolgimento.

▶▶ inserisce Avanzamento rapido.

NOTA

La luce diretta o un'illuminazione molto forte possono pregiudicare la portata operativa e l'angolo attivo del telecomando.

BI-AMPING

Alcuni altoparlanti sono dotati di terminali separati per i sottogruppi LF ed HF dei diffusori (bassa ed alta frequenza). Questa condizione permette di "bi-amplificare" tali diffusori: per LF ed HF, si usa un amplificatore a parete, in modo da migliorare quanto più possibile la qualità del suono.

Il NAD C162 ha due gruppi di output per preamplificatori ("PRE OUT 1 e 2") per facilitare le connessioni per il "Bi-amping". Inoltre, il livello da PRE OUT 2 può essere ridotto in relazione a PRE OUT 1 per consentire l'impiego di amplificatori di potenza con guadagno differente (fattore di amplificazione).

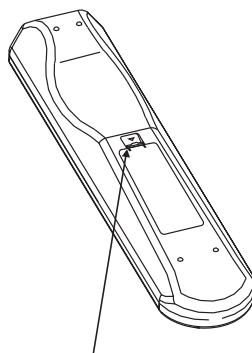
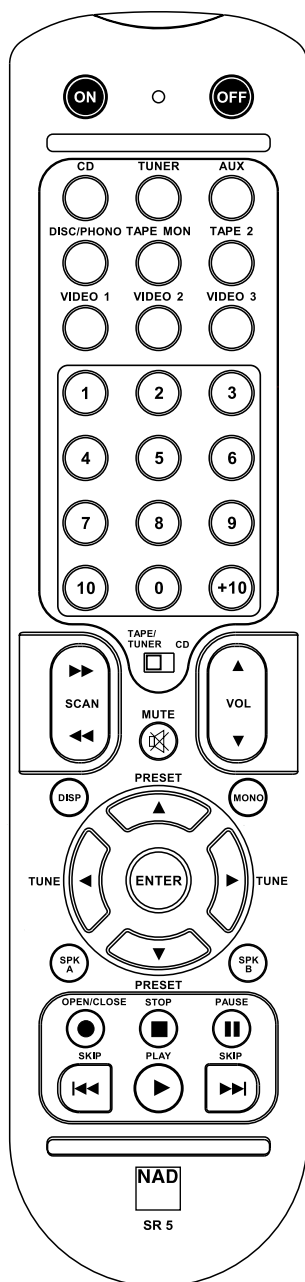
Per impostare il C162 con amplificatore di potenza occorre individuare prima di tutto quale amplificatore abbia il guadagno massimo. Ciò è facile: basta raffrontare il livello dell'intensità sonora degli amplificatori di potenza di un sistema identico (tenere il comando di regolazione del volume al medesimo livello; usare la stessa sorgente e gli stessi diffusori). L'amplificatore con intensità sonora superiore ha il guadagno maggiore (notare che non si tratta dell'amplificatore più potente dei due).

Collegare l'amplificatore con guadagno maggiore alle prese PRE OUT 2 (N. 12); l'altro amplificatore va collegato alle prese PRE OUT 1 (N. 11).

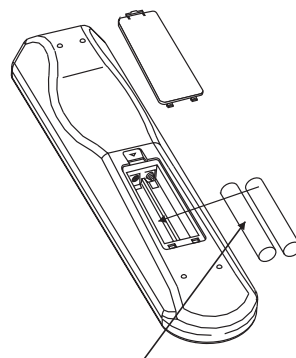
Partendo dalla posizione del livello massimo (0 dB), usare il comando VOLUME PRE OUT 2 (N. 13) per ridurre il livello di uscita di PRE OUT 2 in modo che il livello del volume di entrambi gli amplificatori di potenza sia perfettamente pari.

RICERCA GUASTI

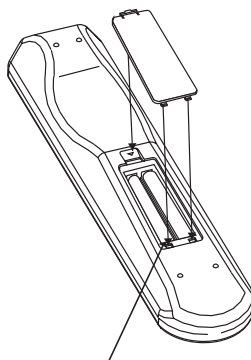
PROBLEMA	CAUSA	SOLUZIONE
ASSENZA DI SUONO	<ul style="list-style-type: none">• Cavo alimentazione CA scollegato, o assenza di tensione• Selezionato Tape 1 Monitor• Mute inserito• L'amplificatore di potenza è spento• Cuffia inserita	<ul style="list-style-type: none">• Controllare che il cavo CA sia collegato e che l'apparecchiatura sia in tensione• Disabilitare il modo Tape 1 Monitor• Spegnerne il Mute• Accendere l'amplificatore di potenza• Scollegare la cuffia
NON SI HA SUONO DA UN CANALE	<ul style="list-style-type: none">• Comando Balance non centrato• Il cavo RCA all'amplificatore non è collegato come prescritto oppure è danneggiato.• Cavo entrata scollegato o danneggiato	<ul style="list-style-type: none">• Centrare il comando Balance• Controllare i cavi e le connessioni • Controllare i cavi e le connessioni
PROBLEMA SOLO SULL'ENTRATA FONO	<ul style="list-style-type: none">• Assenza di segnale• Ronzio sull'input fono.• Segnale debole o con distorsione	<ul style="list-style-type: none">• Controllare che l'interruttore MM-MC sia impostato come prescritto• Controllare che il cavo a terra del fono sia collegato• Controllare che il giradischi sia allacciato all'entrata fono corretta MM oppure MC
MANCATO FUNZIONAMENTO DEL TELECOMANDO	<ul style="list-style-type: none">• Batterie scariche o non inserite come prescritto• Finestre trasmettitore o ricevitore ad infrarossi IR ostruite• Ricevitore infrarossi IR direttamente esposto ai raggi solari oppure luce ambiente molto forte	<ul style="list-style-type: none">• Verificare o sostituire le batterie• Eliminare l'ostruzione • Collocare l'unità lontano dal sole; ridurre l'intensità luminosa dell'ambiente



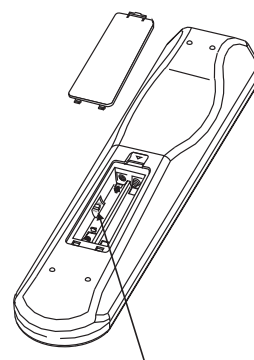
PER TOGLIERE IL COPERCHIO DELLE BATTERIE DAL SUO ALLOGGIAMENTO, PREMERE VERSO IL BASSO E SOLLEVARE LA LINGUETTA



COLLOCARE LE BATTERIE NELL'APERTURA. ASSICURARSI DI AVER RISPETTATO IL CORRETTO MONTAGGIO



RIMETTERE IL COPERCHIO DELLE BATTERIE ALLINEANDO ED INSERENDO LE DUE LINGUETTE NEI FORI. PREMERE IL COPERCHIO DELLE BATTERIE IN POSIZIONE FINO A CHE NON SI SENTA UNO SCATTO DI CHIUSURA



DEV.1 & DEV.2

NOTAS SOBRE A INSTALAÇÃO.

O pré-amplificador NAD C 162 deverá ser instalado sobre uma superfície estável e nivelada. Evite instalar a unidade em locais onde fique directamente exposta aos raios solares ou junto de fontes de calor e de humidade. Certifique-se de que a unidade tem uma ventilação adequada e não a coloque sobre uma superfície mole como, por exemplo, uma alcatifa. Além disso, não a coloque num espaço fechado, como uma estante para livros ou um armário, que possa impedir o fluxo do ar através das aberturas de ventilação. Certifique-se de que a unidade e todos os outros componentes do seu sistema estão desligados da fonte de alimentação antes de efectuar quaisquer ligações.

As tomadas de RCA existentes no NAD C 162 são codificadas por cores, para sua conveniência. A vermelha e a branca correspondem aos terminais áudio direito e esquerdo, respectivamente, e a amarela destina-se à interligação NAD-Link. Utilize cabos e tomadas de alta qualidade, de forma a obter um desempenho e uma fiabilidade óptimas e certifique-se de que os cabos e as tomadas não apresentam quaisquer danos e de que todas as fichas estão firmemente introduzidas nas tomadas.

Se a unidade não for utilizada durante algum tempo, desligue a ficha da tomada de alimentação de CA.

No caso de cair água em cima do NAD C 162 deverá desligar a alimentação da unidade e retirar a ficha da tomada de alimentação de CA. A unidade deverá ser inspeccionada por um técnico de assistência qualificado antes de voltar a ser utilizada.

Não retire a cobertura da unidade dado que não existem no seu interior quaisquer peças que possam ser reparadas pelo utilizador.

Utilize um pano macio e seco para limpar a unidade e, caso seja necessário, humedeça-o ligeiramente com água e sabão. Não utilize soluções que contenham benzeno ou outros agentes voláteis.

LIGAÇÕES DO PAINEL TRASEIRO

1. MC INPUT (ENTRADA DE MC)

Entrada para um cartucho fonográfico de bobine móvel. Efectue a ligação do cabo de RCA duplo do seu gira-discos a esta entrada, caso esteja a utilizar um cartucho de bobine móvel.

2. MM INPUT (ENTRADA DE MM)

Entrada para um cartucho fonográfico de magnete móvel. Efectue a ligação do cabo de RCA duplo do seu gira-discos a esta entrada, caso esteja a utilizar um cartucho de magnete móvel.

3. MC-MM SWITCH (INTERRUPTOR DE COMUTAÇÃO DE MC-MM)

Utilize este interruptor para seleccionar a entrada de gira-discos que pretende utilizar.

4. PHONO GROUND CONNECTOR (CONECTOR DE LIGAÇÃO À TERRA DO GIRA-DISCOS)

É frequente que os cabos de RCA duplos dos gira-discos também incluam um condutor isolado de ligação à terra. Deverá ligar este condutor ao conector de ligação à terra do gira-discos localizado no NAD C 162. Desaperte o terminal de forma a expor o orifício no qual irá inserir o condutor e, depois de ter procedido à inserção, volte a apertar o terminal para fixar firmemente o mesmo.

5. CD INPUT (ENTRADA DO LEITOR DE CD)

Entrada para um leitor de CD ou para outra fonte com sinal de nível de linha. Utilize um cabo de RCA-para-RCA duplo para efectuar a ligação das "Saídas Áudio" esquerda e direita do Leitor de CD a esta entrada. O NAD C 162 apenas aceita os sinais analógicos transmitidos pelo seu leitor de CD.

6. VIDEO INPUT (ENTRADA VÍDEO)

Entrada para o sinal áudio transmitido por um videogravador estereofónico (ou receptor estereofónico de TV / Satélite / Cabo) ou por outra fonte áudio de nível de linha. Utilize um cabo de RCA-para-RCA duplo para efectuar a ligação das "Saídas Áudio" esquerda e direita da unidade a esta entrada. Nota: Estas entradas destinam-se apenas a ligações áudio.

7. AUX INPUT (ENTRADA AUXILIAR)

Entrada para sinais adicionais de entrada de nível de linha como, por exemplo, um leitor de CD adicional. Utilize um cabo de RCA-para-RCA duplo para efectuar a ligação das "Saídas Áudio" esquerda e direita da unidade auxiliar a esta entrada.

8. TUNER INPUT (ENTRADA DO SINTONIZADOR)

Entrada para um Sintonizador ou para outra fonte com sinal de nível de linha. Utilize um cabo de RCA-para-RCA duplo para efectuar a ligação das "Saídas Áudio" esquerda e direita do Sintonizador a esta entrada.

9. TAPE 2 IN, OUT (ENTRADA, SAÍDA DO GRAVADOR 2)

Ligações de entrada e saída para efectuar a gravação e a reprodução analógicas de outro aparelho para um gravador de cassetes áudio de qualquer tipo. Com a ajuda de um cabo de RCA-para-RCA duplo efectue a ligação das "Saídas Áudio" esquerda e direita do gravador de cassetes às tomadas de entrada TAPE 2 IN para iniciar a reprodução e a monitorização de cassetes. Efectue a ligação das "Entradas Áudio" esquerda e direita do gravador de cassetes às tomadas de saída TAPE 2 OUT para efectuar a gravação.

10. TAPE 1 IN, OUT (ENTRADA, SAÍDA DO GRAVADOR 1)

Ligações de entrada e saída para efectuar a gravação e a reprodução analógicas de outro aparelho para um gravador de cassetes áudio auxiliar de qualquer tipo. Com a ajuda de um cabo de RCA-para-RCA duplo efectue a ligação das "Saídas Áudio" esquerda e direita do gravador de cassetes às tomadas de entrada TAPE 1 IN para iniciar a reprodução e a monitorização de cassetes. Efectue a ligação das "Entradas Áudio" esquerda e direita do gravador de cassetes tomadas de saída TAPE 1 OUT para efectuar a gravação.

11. PRE-OUT 1 (SAÍDA DO PRÉ-AMPLIFICADOR 1)

O NAD C 162 permite efectuar a ligação de múltiplos amplificadores de potência. Caso esteja a utilizar um único amplificador de potência estereofónico deverá utilizar as tomadas de saída PRE OUT 1.

Caso esteja a utilizar dois amplificadores de potência especificamente destinados a funções de bi-amplificação deverá utilizar estas tomadas para efectuar a ligação do amplificador de potência que tenha o menor nível de ganho de entre os dois. Para obter informações adicionais queira, por favor, consultar também o capítulo "Bi-amplificação".

Utilize um cabo de RCA-para-RCA duplo para efectuar a ligação das "Entradas Áudio" esquerda e direita do Amplificador de Potência às tomadas de saída PRE OUT 1.

12. PRE OUT 2 (SAÍDA DO PRÉ-AMPLIFICADOR 2)

As tomadas de saída do pré-amplificador 2 podem ser utilizadas para accionar um amplificador de potência adicional. O comando de volume de saída VOLUME PRE OUT 2 (13) pode ser utilizado para reduzir o nível de potência de saída do pré-amplificador para o amplificador de potência até um nível de -12 dB. Caso o comando de volume da saída do pré-amplificador 2 esteja regulado para a posição máxima (a posição de 0 dB), o nível de potência de saída será idêntico ao das tomadas de saída PRE OUT 1.

Caso esteja a utilizar dois amplificadores de potência especificamente destinados a funções de bi-amplificação deverá utilizar as tomadas de saída PRE OUT 2 para efectuar a ligação do amplificador de potência que tenha o maior nível de ganho de entre os dois. Ao regular o comando de VOLUME PRE OUT 2 (13) poderá equilibrar o volume para um nível exactamente igual ao do amplificador de potência que está ligado às tomadas de saída PRE OUT 1. Para obter informações adicionais queira, por favor, consultar também o capítulo "Bi-amplificação".

Utilize um cabo de RCA-para-RCA duplo para efectuar a ligação das "Entradas Áudio" esquerda e direita do amplificador de potência às tomadas de saída PRE OUT 1.

13. VOLUME PRE OUT 2 (COMANDO DE VOLUME DE SAÍDA DO PRÉ-AMPLIFICADOR 2)

O comando do volume de saída do pré-amplificador 2 permite efectuar o ajuste do nível de potência de saída das tomadas de saída PRE OUT 2. O nível de potência de saída pode ser reduzido para um nível de até 12 dB, sendo que quando estiver comutado para a posição de nível máximo (a posição de 0 dB) o referido nível será idêntico ao das tomadas de saída PRE OUT 1. Para obter informações adicionais queira, por favor, consultar também o capítulo "Bi-amplificação".

NOTA

Certifique-se sempre de que desliga o pré-amplificador e os amplificadores de potência que lhe estão associados antes de ligar qualquer componente às tomadas de saída Pre-Out 1 e 2 ou de desligar das mesmas.

14. NAD-LINK IN, OUT (ENTRADA, SAÍDA DA INTERLIGAÇÃO NAD)

O conector NAD-Link é utilizado para transmitir comandos de outras unidades equipadas com conectores NAD-Link. Isto permite o controlo centralizado de um sistema completo e permite também controlar, através do comando de controlo remoto do pré-amplificador, algumas das funções básicas de outros componentes NAD (como um leitor de CD ou um gravador de cassetes) que também estejam equipados com interligações NAD. De modo a poder funcionar com outras unidades, deverá ligar a tomada de saída NAD-Link Out do C 162 à tomada de entrada NAD-Link In da outra unidade. Os conectores NAD-Link podem ser ligados em cadeia, IN (Entrada) para OUT (Saída), de forma a que todo o sistema possa ser controlado a partir do comando de controlo remoto de uma única unidade.

15. 12V TRIGGER OUT (SAÍDA DE DISPARO DE 12 V)

A saída de disparo de 12 V é automaticamente activada quando o NAD C 162 é comutado do modo de Desligado ou de Stand-by para o modo de Ligado. Efectue a ligação da saída de disparo de 12 V a um amplificador de potência ou a uma tomada múltipla de alimentação de CA que esteja equipada com uma entrada de disparo de 12 V de forma a poder Ligar / Desligar à distância os aparelhos em questão. Utilize um cabo equipado com um mini conector de 3,5 mm para efectuar a ligação ao pré-amplificador.

16. AC LINE CORD (CABO DE ALIMENTAÇÃO DE CA)

Efectue a ligação do cabo de alimentação de CA a uma tomada de CA de parede que esteja sob tensão. Antes de ligar o aparelho à fonte de alimentação certifique-se de que todas as ligações foram efectuadas.

17. TOMADAS DE ALIMENTAÇÃO DE SAÍDA SWITCHED E UNSWITCHED (ACTIVADAS E DESACTIVADAS) (APENAS PARA A VERSÃO AH)

Os cabos de alimentação de outros componentes estereofónicos como, por exemplo, um leitor de CD, podem ser ligados a estas tomadas adicionais. Os componentes que sejam ligados à tomada que tem aposta a indicação "switched" serão comutados para os modos de Ligado e de Desligado sempre que o pré-amplificador for comutado do modo de Stand-by ou de Desligado para Ligado e vice-versa.

A alimentação principal está sempre disponível na tomada que tem aposta a indicação "unswitched", desde que o cabo de alimentação do NAD C 162 esteja ligado a uma tomada de saída de CA de parede que esteja ligada à alimentação. Esta tomada pode ser utilizada para componentes que exijam uma alimentação contínua de CA, como é o caso de certos sintonizadores que necessitam de estar permanentemente ligados à fonte de alimentação principal para, por exemplo, manter as pré-sintonias guardadas em memória.

NOTA

O consumo total de energia de quaisquer componentes que estejam ligados às tomadas de saída de CA não pode exceder os 100 Watts. Nunca efectue a ligação da ficha de alimentação principal de um amplificador de potência a nenhuma das tomadas de saída Switched ou Unswitched do NAD C 162.

INSTALAÇÃO E LIGAÇÃO RÁPIDAS.

- 1 Efectue a ligação de um cabo de RCA duplo ao amplificador de potência.
- 2 Efectue a ligação das fontes pretendidas às respectivas tomadas de entrada localizadas no painel traseiro.
- 3 Efectue a ligação dos altifalantes ao amplificador de potência.
- 4 Efectue a ligação do cabo de alimentação de CA.
- 5 Prima o botão de POWER para ligar o NAD C 162.
- 6 Comute o amplificador de potência para o modo de Ligado.
- 7 Prima o selector de entrada pretendido.

COMANDOS DO PAINEL DIAANTEIRO

1. POWER ON/OFF (ALIMENTAÇÃO LIGADA / DESLIGADA)

Prima o botão de POWER para comutar o pré-amplificador para o modo de 'Stand-by'. O indicador luminoso de Stand-by (Nº. 2), localizado por cima do botão de alimentação, irá acender uma luz amarela. Prima qualquer dos botões de selector de entrada, localizados no painel dianteiro, para comutar o pré-amplificador para o modo de Ligado. Prima o botão de POWER ON localizado no comando de controlo remoto para comutar a unidade para o modo de Ligado. O indicador luminoso de Stand-by passará de amarelo para verde, de modo a indicar que a unidade está ligada e pronta para ser utilizada.

NOTA

No modo de Stand-by o pré-amplificador C 162 consome uma quantidade de energia extremamente reduzida. No entanto, é aconselhável desligar totalmente a unidade caso esta só venha a ser utilizada alguns dias depois. Desligue-a completamente premindo o botão de POWER localizado no painel dianteiro (Nº 1) e todas as luzes ficarão apagadas.

2. INDICADOR DE STAND-BY

O LED indicador proporciona informações relativas ao estado do NAD C 162:

Off (Apagado): A unidade está totalmente desligada.

Amarelo: A unidade está em modo de Stand-by.

Verde: A unidade está em modo de Ligado e pronta a ser utilizada.

Além disso, o LED pisca intermitentemente quando o pré-amplificador recebe um comando transmitido pelo comando de controlo remoto fornecido.

3. TOMADA DE HEADPHONES (AUSCULTADORES)

Existe uma tomada estereofónica de 1/4" que permite efectuar a audição através de auscultadores e que funciona com auscultadores convencionais de qualquer impedância. A introdução directa de uma ficha de auscultadores nesta tomada irá desligar automaticamente a potência de saída transmitida às tomadas de saída PRE OUT 1 e 2 localizadas no painel traseiro. Os comando de controlo do volume, da tonalidade e do equilíbrio mantêm-se em funcionamento quando se utilizam os auscultadores para efectuar audição. Para ligar os auscultadores a outro tipo de tomadas como, por exemplo, tomadas estereofónicas de 3.5 mm para "walkman", deverá utilizar um adaptador adequado.

NOTA

A utilização dos auscultadores com um volume de som muito elevado poderá provocar lesões auditivas.

4. RECEPTOR DE INFRAVERMELHOS DO COMANDO DE CONTROLO REMOTO

O sensor de infravermelhos, localizado atrás desta janela circular, recebe os comandos transmitidos pelo comando de controlo remoto. É necessário que exista uma linha de mira desobstruída entre o comando de controlo remoto e esta janela, dado que se a mesma estiver obstruída é possível que o comando não funcione.

5. INPUT SELECTORS (SELECTORES DE ENTRADA)

Estes botões destinam-se a seleccionar a entrada activa para o NAD C 162 e o sinal que é transmitido às tomadas de saída de Tape e de PRE OUT 1 e 2. Os botões localizados no comando de controlo remoto são iguais a estes e permitem executar as mesmas acções, com excepção do botão de entrada do sintonizador - queira, por favor, consultar as informações apresentadas abaixo. O LED localizado por cima de cada um dos botões de selector de entrada indica qual das entradas foi seleccionada.

O selector de **PHONO** selecciona como entrada activa o gira-discos que está ligado às tomadas de PHONO MM ou MC. Se premir o botão de DISC localizado no comando de controlo remoto SR 5 também irá seleccionar a entrada PHONO.

O selector de **CD** selecciona como entrada activa o leitor de CD (ou outra fonte de nível de linha) que está ligado às tomadas de CD.

O selector de **VIDEO** selecciona como entrada activa o videogravador (ou pré-amplificador estereofónico de TV / Satélite / Cabo) que está ligado às tomadas VIDEO. Se premir o botão de VIDEO 2 localizado no comando de controlo remoto SR 5 também irá seleccionar a entrada VIDEO.

O selector de **AUX** selecciona como entrada activa a fonte de nível de linha que está ligada às tomadas auxiliares AUX.

O selector de **TUNER** selecciona como entrada activa o sintonizador (ou outra fonte de nível de linha) que está ligado às tomadas de Tuner. O comando de controlo remoto tem botões diferentes para AM e FM e ao premir qualquer deles também irá seleccionar a entrada de Tuner do C 162.

O selector de **TAPE 2** selecciona como entrada activa a tomada do gravador de cassetes Tape 2.

O selector de **TAPE 1 Monitor** (Monitorização do Gravador de Cassetes 1) selecciona a saída de um gravador de cassetes quando se estão a reproduzir cassetes ou quando se está a monitorizar uma gravação efectuada através das tomadas de Tape 1. Prima uma vez o botão de Tape 1 para seleccionar esta tomada e volte a premi-lo para regressar à selecção de entrada normal. Tape 1 é uma função de Monitorização do gravador de cassetes que não se sobrepõe à selecção da entrada actual. Por exemplo, se CD for a entrada activa quando a tomada de TAPE 1 é seleccionada então o sinal de CD continuará a ser seleccionado e transmitido às tomadas de saída TAPE 2 e TAPE 1 OUTPUT, mas será o som proveniente do gravador de cassetes ligado à tomada de Tape 1 que será transmitido nos altifalantes. Além do LED amarelo que indica que a tomada de Tape 1 se encontra seleccionada, o LED verde relativo à entrada activa também permanecerá aceso.

NOTA

O comando de controlo remoto da NAD que é fornecido com o C 162 é do tipo universal, sendo concebido para controlar vários modelos da NAD. Alguns dos botões existentes neste comando de controlo remoto não estão activos, dado que as funções que controlam não estão disponíveis no C 162. No caso deste último, os botões de selector de entrada de Video 2 e Video 3 localizados no comando de controlo remoto não estão activos.

6. COMANDOS DE BASS E TREBLE (GRAVES E AGUDOS)

O NAD C 162 está equipado com comandos de tonalidade de Graves e Agudos que permitem ajustar o equilíbrio da tonalidade do seu sistema. A posição das 12 horas é uma posição "neutra", sem qualquer amplificação ou supressão, sendo indicada por uma lingueta. Deverá rodar o comando no sentido dos ponteiros do relógio para aumentar o nível de Graves ou de Agudos e rodá-lo no sentido contrário para diminuir os mesmos. Os comandos de Controlo de Tonalidade não afectam as gravações efectuadas utilizando as saídas de Tape.

7. TONE DEFEAT (DESACTIVAÇÃO DA TONALIDADE)

O interruptor de TONE DEFEAT desactiva a secção de controlo da tonalidade do NAD C 162. Caso os comandos de Controlo de Tonalidade não sejam utilizados regularmente e permaneçam na posição das 12 horas, é aconselhável desactivar totalmente a secção de controlo da tonalidade utilizando este interruptor. Se o botão de TONE DEFEAT estiver "para fora" os circuitos de Controlo da Tonalidade estão activos e se estiver "para dentro" a secção de Controle da Tonalidade está desactivada.

8. BALANCE (EQUILÍBRIO)

O comando de BALANCE permite ajustar os níveis relativos dos altifalantes esquerdo e direito. A posição das 12 horas proporciona um nível igual para os canais esquerdo e direito, sendo esta posição indicada por uma lingueta. Se o comando for rodado no sentido dos ponteiros do relógio o equilíbrio é deslocado para o lado direito e se for rodado no sentido contrário o equilíbrio é deslocado para o lado esquerdo. O comando de BALANCE não afecta as gravações efectuadas utilizando as saídas de Tape.

9. VOLUME

O controlo de VOLUME destina-se a ajustar a intensidade sonora geral dos sinais que estão a ser transmitidos aos altifalantes. É accionado através de um motor e pode ser ajustado a partir do Comando de controlo remoto. O comando de controlo de VOLUME não afecta as gravações efectuadas utilizando as saídas de Tape.

No Comando do controlo remoto, prima o botão de MUTE para desligar temporariamente o som que é transmitido aos altifalantes e aos auscultadores. O modo de supressão do som é indicado pelo piscar do LED indicador de entrada activa. Para voltar a ouvir som prima novamente o botão de MUTE. O comando de MUTE não afecta as gravações efectuadas através da utilização das saídas Tape, mas afecta o sinal que é transmitido para a saída do pré-amplificador Pre Out.

PARA EFECTUAR UMA GRAVAÇÃO

Quando se efectua a selecção de uma fonte, seja ela qual for, o seu sinal também é transmitido directamente a qualquer gravador de cassetes que esteja ligado às saídas de TAPE 2 ou TAPE 1 para efectuar uma gravação.

CÓPIA DE CASSETE PARA CASSETE

Pode efectuar a cópia de cassetes entre dois gravadores que estejam ligados ao NAD C 162. Coloque a cassette de partida no gravador que está ligado à tomada de Tape 2 e coloque a cassette virgem no gravador que está ligado à tomada de Tape 1. Ao seleccionar a entrada de TAPE 2 poderá efectuar gravações a partir de Tape 2 para Tape 1 e monitorizar o sinal proveniente da cassette original.

COMANDO DE CONTROLO REMOTO

O comando de controlo remoto permite controlar todas as funções principais do NAD C 162 e dispõe de comandos adicionais para controlar à distância Sintonizadores, Gravadores de Cassetes e Leitores de CD da NAD, funcionando a uma distância de até 5 m (16 pés). É aconselhável utilizar pilhas alcalinas para obter uma maior duração de utilização, devendo ser colocadas duas pilhas AAA (R 03) no compartimento das pilhas localizado na parte de trás do Comando de controlo remoto. Quando substituir as pilhas verifique se as mesmas foram correctamente colocadas, tendo em atenção a respectiva polaridade, tal como é indicado na base do compartimento das pilhas. Queira, por favor, consultar as secções anteriores deste manual para obter uma descrição completa das funções individuais do Comando.

POWER ON/OFF (BOTÕES DE LIGAR / DESLIGAR A ALIMENTAÇÃO)

Prima o botão de ON para comutar a unidade para o modo de Ligado. O indicador de Stand-by localizado no painel dianteiro irá mudar de amarelo para verde no espaço de 2 segundos e, entretanto, o indicador de CD piscará automaticamente 4 vezes. A unidade estará então pronta para ser utilizada.

Prima o botão de OFF para comutar a unidade para o modo de Stand-by e o indicador de Stand-by localizado no painel dianteiro mudará de verde para amarelo.

Os botões de VIDEO 1, VIDEO 3, os selectores de entrada e os botões de SPK A e SPK B localizados no comando de controlo remoto SR 5 ficam desactivados quando o comando é utilizado com o C 162.

BOTÃO DE VIDEO 2

Selecciona como a entrada activa o videogravador (ou pré-amplificador estereofónico de TV / Satélite / Cabo) que está ligado às tomadas de VIDEO.

BOTÃO DE TUNER (SINTONIZADOR)

Selecciona a entrada de Tuner localizada no NAD C 162 e selecciona também, respectivamente, a banda de frequência de AM ou de FM num outro Sintonizador da NAD que possa ser controlado à distância.

BOTÃO DE MUTE (SUPRESSÃO DO SOM)

Deverá premir o botão de MUTE para desligar temporariamente o som que é transmitido aos altifalantes e aos auscultadores. O modo de Supressão de som é indicado pelo piscar do indicador de entrada activa. Para voltar a ouvir som deverá premir novamente o botão de MUTE. A activação do modo de Supressão de som não afecta as gravações efectuadas utilizando as saídas de Tape.

BOTÕES DE MASTER VOLUME (VOLUME PRINCIPAL)

Os botões de ▲ ou ▼ aumentam ou diminuem, respectivamente, o nível do Volume. O comando motorizado de Controlo de Volume localizado no painel dianteiro indica qual o nível para que o volume foi regulado.

Além dos comandos relacionados com o próprio pré-amplificador NAD C 162 existem outros botões que permitem controlar a maior parte dos leitores de CD e dos gravadores de Cassetes da NAD que estejam equipados com uma interligação NAD-Link:

COMANDOS DE TUNER CONTROL (CONTROLO DO SINTONIZADOR)

(para utilizar com um sintonizador da NAD)

Os botões de TUNE ◀ ou ▶ pesquisam, respectivamente, estações situadas em bandas de frequência mais elevadas ou mais baixas quer em AM quer em FM.

Os botões de PRESET ▲ ou ▼ seleccionam, respectivamente, pré-sintonias com um número de estação mais elevado ou mais baixo.

COMANDOS DE CD PLAYER CONTROL (CONTROLO DO LEITOR DE CD)

(para utilizar com um Leitor de CD da NAD)

O botão de || activa a função de Pause (Pausa) e o botão de [o] activa a função de Stop (Paragem).

O botão de ▶ activa a função de Play (Reprodução) ou comuta entre Reprodução e Pausa.

Os botões de ►► ou ◀◀ activam a função de Track skip (Avanço ou Retrocesso nas faixas). Deverá premi-los, respectivamente, para se deslocar para a faixa seguinte e para voltar ao início da faixa actual ou para o início da faixa anterior.

COMANDOS DE CASSETTE DECK CONTROL (CONTROLO DO LEITOR DE CASSETES)

(Para utilização com gravadores de cassetes da NAD com função de transporte simples (DECK B) ou duplo (A e B))

Os botões de ◀ ou ▶ activam a função de Forward Play (Reprodução em modo de Avanço) ou de Reverse Play (Reprodução em modo de Retrocesso).

O botão de ■ interrompe e pára a Reprodução.

O botão de ◀◀ activa a função de Rewind (Rebobinagem).

O botão de ►► activa a função Fast Forward (Avanço Rápido).

NOTA

A exposição à luz solar directa ou a uma luz ambiente demasiado forte pode afectar o alcance e o ângulo de funcionamento do Comando de controlo remoto.

BI-AMPLIFICAÇÃO

Alguns altifalantes estão equipados com terminais de ligação separados para as secções de Baixas Frequências (LF - Low Frequency) e de Altas Frequências (HF - High Frequency). Esta característica permite efectuar a "Bi-Amplificação" destes altifalantes nos casos em que é utilizado um amplificador de potência independente para a secção de LF e de HF, o que poderá melhorar a qualidade global do som.

O NAD C 162 proporciona dois conjuntos de saídas de pré-amplificador PRE OUT 1 e 2 para facilitar as ligações destinadas à Bi-Amplificação. Além disso, é possível reduzir o nível da saída PRE OUT 2 relativamente ao da saída PRE OUT 1, de forma a utilizar amplificadores de potência com um nível de ganho diferente (factor de amplificação).

Para equipar o pré-amplificador C 162 com dois amplificadores de potência, em primeiro lugar é necessário determinar qual deles tem o nível de ganho mais elevado. Poderá fazê-lo facilmente comparando o nível de intensidade sonora dos dois amplificadores de potência num sistema idêntico (mantenha o comando de controlo de volume no mesmo nível e utilize a mesma fonte e os mesmos altifalantes). Aquele que transmitir o som mais elevado é o que tem o maior nível de ganho (tenha em conta que não tem necessariamente de ser o mais potente dos dois).

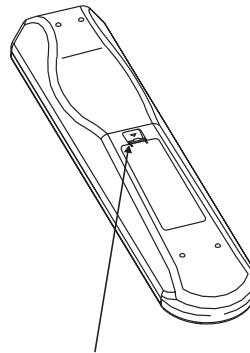
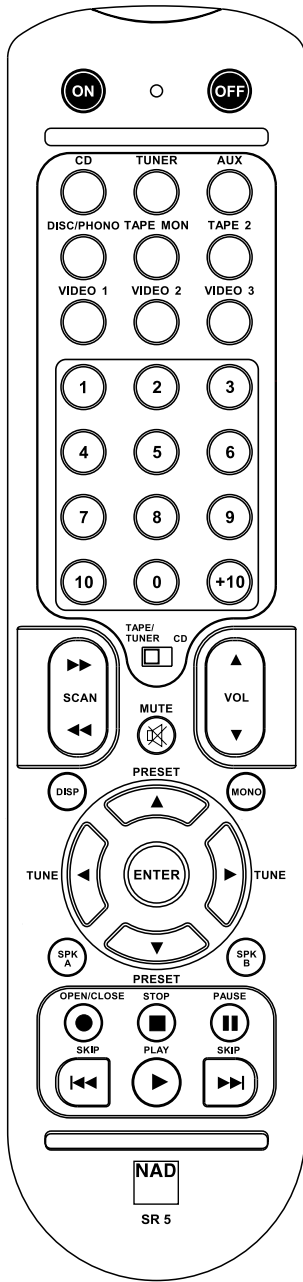
Efectue a ligação do amplificador de potência com maior nível de ganho às tomadas de saída PRE OUT 2 (No. 12) e a ligação do outro amplificador de potência às tomadas de saída PRE OUT 1 (No.11).

Partindo da posição de nível máximo (0 dB), utilize o comando de volume de saída VOLUME PRE OUT 2 (No. 13) para reduzir o nível de saída do pré-amplificador PRE OUT 2 de forma a que o nível de volume de ambos os amplificadores de potência fique exactamente igual.

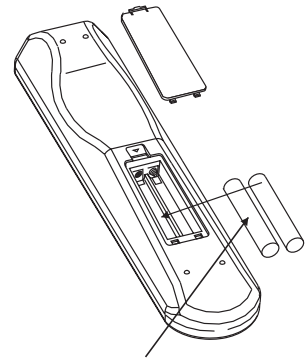
RESOLUÇÃO DE PROBLEMAS

PROBLEMA	CAUSA	SOLUÇÃO
AUSÊNCIA DE SOM	<ul style="list-style-type: none">O cabo de alimentação de CA está desligado ou a alimentação não está ligada.A função de Tape 1 Monitor está seleccionada.A função de Mute está activada.O amplificador de potência está comutado para o modo de Desligado.Os auscultadores estão inseridos na respectiva tomada.	<ul style="list-style-type: none">Verifique se o cabo de alimentação de CA está ligado e se a alimentação está sob tensão.Desactive a função de Tape 1 Monitor.Desactive a função de Mute.Comute a alimentação do amplificador de potência para o modo de Ligado.Desligue os auscultadores.
AUSÊNCIA DE SOM NUM CANAL	<ul style="list-style-type: none">O comando de Balance Control (Controlo do Equilíbrio) não está centrado.O cabo de RCA ligado ao amplificador de potência não está correctamente introduzido ou está danificado.O cabo de entrada está desligado ou danificado.	<ul style="list-style-type: none">Centre o comando de Balance Control.Verifique os cabos e as ligações.Verifique os cabos e as ligações.
PROBLEMA APENAS NA ENTRADA DE PHONO	<ul style="list-style-type: none">Ausência de sinal.Zumbidos na entrada de Phono.Sinal fraco ou distorcido.	<ul style="list-style-type: none">Verifique se o interruptor de MM-MC está comutado para a posição correcta.Verifique se a ficha de ligação à terra do gira-discos está ligada.Verifique se o gira-discos está ligado à entrada de Phono MM ou MC correcta.
O COMANDO DE CONTROLO REMOTO NÃO FUNCIONA	<ul style="list-style-type: none">As pilhas estão gastas ou colocadas incorrectamente.As janelas do receptor ou do transmissor de IV estão obstruídas.O receptor de IV está exposto a raios solares ou a uma luz ambiente muito forte.	<ul style="list-style-type: none">Verifique ou substitua as pilhas.Elimine a obstrução.Coloque a unidade num local em que não esteja directamente exposta aos raios solares e reduza a intensidade da luz ambiente.

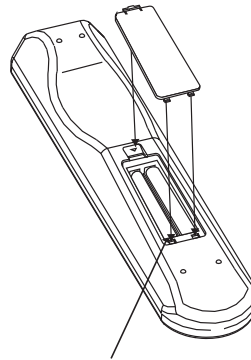
COMANDO DO CONTROLO REMOTO



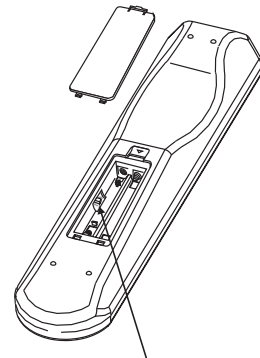
FAÇA PRESSÃO PARA DENTRO E LEVANTE A PATILHA PARA RETIRAR A TAMPA DO COMPARTIMENTO DAS PILHAS DO RESPECTIVO ALOJAMENTO.



COLOQUE AS PILHAS NO INTERIOR DA ABERTURA. CERTIFIQUE-SE DE QUE CUMPRE O POSICIONAMENTO CORRECTO.



VOLTE A COLOCAR A TAMPA DO COMPARTIMENTO DAS PILHAS, ALINHANDO E INSERINDO AS DUAS PATILHAS NO INTERIOR DOS ORIFÍCIOS. FAÇA PRESSÃO SOBRE A TAMPA DO COMPARTIMENTO DAS PILHAS ATÉ QUE ESTA FIQUE FECHADA E OIÇA UM ESTALIDO



DEV.1 & DEV.2

TÄNK PÅ FÖLJANDE VID INKOPPLING.

NAD C162 bör placeras på en jämn stabil yta. Undvik att placera apparaten så att den utsätts för direkt solljus, står nära värmekällor eller utsätts för fukt.

Sörj för god ventilation runt apparaten. Placera inte apparaten på en mjuk yta som t.ex. en matta. Placera den inte på en instängd plats som en bokhylla eller i ett skåp som kan hindra luftflödet runt apparatens lufthåll.

Se till att apparaten är avslagen innan några anslutningar görs.

Anslutningskontaktarna är färgkodade för att underlätta inkoppling. Röd och vit är höger respektive vänster kanal, gula är för NAD-Link.

Vi rekommenderar att kablar av hög kvalitet används. Försäkra dig om att kablar och kontakter inte är skadade på något sätt och att alla kablar är ordentligt intryckta i kontaktarna.

Om apparaten inte skall användas under en längre tid bör nätsladden kopplas ur vägguttaget.

Om det skulle komma vatten i apparaten så måste strömmen brytas omedelbart genom att nätsladden kopplas ur vägguttaget. Innan apparaten får tas i bruk måste den gås igenom av en auktoriserad verkstad. Avlägsna inte locket på apparaten själv, det finns inga delar i apparaten som ni som kund själv kan åtgärda.

Vid rengöring, använd en ren mjuk trasa, lätt fuktad vid behov.

Använd inga starka lösningsmedel på höljet då det kan skada finishen, en mild tvällösning kan användas mot fettfläckar etc.

ANSLUTNINGAR PÅ APPARATENS BAKSIDA.

1. MC INGÅNG.

Ingång för MC pickup (pickup med rörlig spole). Anslut signalkablarna från din skivspelare om den är utrustad med MC pickup.

2. MM INGÅNG.

Ingång för MM pickup (pickup med rörlig magnet). Anslut signalkablarna från din skivspelare om den är utrustad med MM pickup.

3. MM-MC OMKOPPLARE.

Omkopplare för att vilken pickupingång ni använder.

4. JORDSKRUV FÖR SKIVSPELARE.

Om din skivspelare är utrustad med separat jordkabel kan den anslutas här. Om jordkabeln inte har någon kontakt, räcker det att man skalar en centimeter bar kabel. Anslut kabeln och skruva åt terminalen ordentligt.

5. INGÅNG FÖR CD.

Här ansluter ni din CD-spelare (endast analog signal). Om ni inte har någon CD-spelare kan någon annan signalkälla med linjenivåsignal kopplas in här istället. Anslut signalkällans höger och vänster audioutgångar till denna ingång med en RCA kabel.

6. INGÅNG FÖR VIDEOLJUD.

Här kan ni ansluta en ljudsignal från t.ex. en Hifi video eller ljudsignalen Stereo-TV, satellitmottagare eller någon annan signalkälla med linjesignal.

Anslut signalkällans höger och vänster audioutgångar till denna ingång med en RCA kabel. Observera att detta är endast en ingång.

7. AUX INGÅNG (EXTRA INGÅNG)

AUX är en extra ingång som kan användas till alla ljudkällor med signal på linjenivå.

Anslut signalkällans höger och vänster audioutgångar till denna ingång med en RCA kabel.

8. INGÅNG FÖR RADIODEL.

Här ansluter ni din radiodel. Anslut radiodelens höger och vänster audioutgångar till denna ingång med en RCA kabel.

9. IN OCH UTGÅNG FÖR BANDSPELARE 2.

Här kan ni ansluta ett kassettdäck eller motsvarande enhet. Anslut en kabel från TAPE 2 OUT på C162 till däckets LINE IN kontakter, och en andra kabel till däckets LINE OUT kontakter till TAPE 2 IN kontakter.

10. IN OCH UTGÅNG FÖR BANDSPELARE 1.

Här kan ni ansluta ytterligare ett kassettdäck eller motsvarande enhet. Anslut en kabel från TAPE 1 OUT på 162 till däckets LINE IN kontakter, och en andra kabel till däckets LINE OUT kontakter till TAPE 1 IN kontakter.

11. FÖRFÖRSTÄRKARUTGÅNG 1

NAD C162 är utrustad så att den kan driva mer än ett slutsteg. Om ni använder ett slutsteg skall detta anslutas till PRE OUT 1 utgångarna.

Om ni använder två slutsteg, som t.ex. Bi-amping, skall ni ansluta det slutsteget med den lägsta ingångskänsligheten till detta par. Se även stycket "Bi-amping" för mer information.

Anslut utgångarna PRE OUT 1 med en RCA kabel till ingången på effektförstärkaren.

12. FÖRFÖRSTÄRKARUTGÅNG 2

Dessa utgångar kan användas för att driva ett andra slutsteg. Reglaget märkt "VOLUME PRE OUT 2" (13) kan användas för att renicera utsignallnivån med upp till 12dB. När reglaget står i läge 0dB är nivån den samma på PRE OUT 2 och PRE OUT 1 utgångarna.

Om ni använder två stycken slutsteg, som t.ex. vid Bi-amping, bör ni använda PRE OUT 2 till det slutsteget som har den högsta ingångskänsligheten av de två. Genom att justera reglaget (13) kan man matcha nivån så att den blir densamma som för slutsteget anslutet till PRE OUT 1. Se även stycket "Bi-amping" för mer information.

Anslut utgångarna PRE OUT 2 med en RCA kabel till ingången på effektförstärkaren.

13. VOLUME PRE OUT 2

Med detta reglage kan man justera nivån på utsignalen på PRE OUT 2 utgångarna relativt nivån på PRE OUT 1. Nivån kan reduceras med upp till 12dB. När reglaget står i sitt maxläge (0dB) är nivån densamma som i PRE OUT 1. Se även stycket "Bi-amping" för mer information.

Tänk på att alltid stänga av förförstärkaren och slutstegen innan ni ansluter eller kopplar ur någonting till PRE OUT 1 eller 2 utgångarna.

14. NAD-LINK IN/UTGÅNG.

NAD-Link anslutningarna används för att skicka fjärrkontrollkommandon mellan olika enheter utrustade med NAD-Link. Det ger dig möjlighet att kontrollera din anläggning från mer än ett rum. För att kunna styra fler enheter än C162 så måste dessa kopplas ihop via NAD-Link in- och utgångar. Flera enheter kan seriekopplas så att anläggningens samtliga fjärrkontrollfunktioner kan styras centralt. En NAD-Link koppling till en annan Hifi-anläggning i ett annat rum gör att man kan styra anläggningen från det första rummet med en fjärrkontroll i nästa rum.

15. 12V TRIGGER UTGÅNG

Denna utgången skickar en signal varje gång C162 slås på eller från stand-by läge.

Anslut den till slutsteg eller ströuttag som är utrustade med en "Trigger" funktion för fjärrstyrt av- och påslag. Använd en kabel med en 3,5 mm teleplugg i förförstärkarändan för anslutning.

16. NÄTSLADD

Sätt i nätsladden i ett fungerande vägguttag. Se till att alla anslutningar gjorts innan ni ansluter apparaten.

17. SWITCHAD OCH O-SWITCHAD NÄTKONTAKTER (ENBART AH VERSION)

Här kan man koppla in nätsladdar från andra stereoapparater som t.ex. en CD-spelare. Apparater som kopplas in via "switched" kontakterna kan av och på-slag styras med strömbytare till förförstärkaren.

Kontekterna märkta med "unswitched" är alltid inkopplade när NAD C 162s nätsladd är inkopplad på nätet. Dessa anslutningar kan användas till apparater som kräver ständig matning med nätström exempelvis radiodelar som kräver spänning för minnets skull.

NOTERA

Den totala effektförbrukningen får inte överstiga 100 Watt. Anslut aldrig en effektförstärkare via någon av dessakontakter.

SNABBSTART.

- 1 Anslut RCA kablarna till ett slutsteg.
- 2 Anslut önskad signalkälla till ingångarna.
- 3 Anslut högtalare till slutsteget
- 4 Sätt i nätsladden.
- 5 Tryck på POWER för att sätta på NAD C 162.
- 6 Slå på slutsteget
- 7 Tryck på önskad ingångskälla.

KONTROLLER PÅ APPARATENS FRAMSIDA.

1. AV/PÅ KNAPP

Man sätter på apparaten till stand-by läge med POWER knappen. Stand-by indikatorn (nr. 2) ovanför POWER knappen lyser då orange. När ni trycker på någon av knapparna för att välja signalkälla kommer apparaten att tändas. På fjärrkontrollen kan man trycka på stand-by knappen för att sätta på apparaten. Indikatorn ändrar då färg från orange till grönt för att visa att apparaten är påslagen och klar att använda. Samtidigt blinkar lysdioden för CD ingången ett par sekunder och förblir tänd tills man väljer en annan ingång.

Observera

I stand-by läge drar C162 väldigt lite ström men vi rekommenderar att man stänger av apparaten helt om den inte skall användas på ett par dagar. Detta gör ni genom att stänga av med knappen på frontpanelen (nr. 1), då släcks alla lampor.

2. STAND-BY INDIKATOR

Denna Indikatorn ger information om statusen på NAD C162:

Släckt: Apparaten är helt avstängd.

Orange: Apparaten är i stand-by läge.

Grön: Apparaten är påslagen och klar att använda.

Lysdioden blinkar även när förförstärkaren tar emot signaler från fjärrkontrollen.

3. HÖRLURSUTTAG.

För lyssning i hörlurar finns ett 6.3mm hörlursuttag på frontpanelen och den kan driva alla konventionella hörlurar oavsett impedans. När hörlurarna kopplas in, kopplas utgångarna till slutstegen (PRE OUT 1 & 2) bort. När ni lyssnar i hörlurar kan ni reglera volym, bas, diskant och balans som vanligt.

Om dina hörlurar har en annan typ av anslutningskontakt, t.ex. en 3,5 mm "Walkman" måste ni skaffa en passande adapter.

VARNING!

Tänk på att lyssning på höga ljudnivåer kan skada din hörsel.

4. FJÄRRKONTROLLMOTTAGARE

Sensorn, som sitter bakom det runda fönstret, tar emot de infraröda signalerna från fjärrkontrollen. Det måste vara fri sikt mellan fjärrkontrollen och mottagaren för att den skall fungera. Om någonting skymmer mottagaren kan det hända att den inte reagerar på fjärrkontrollkommandona.

5. INGÅNGSVÄLJARE.

Dessa knappar används för att välja vilken signalkälla på C162 som skall skickas till Tape utgångarna och PRE OUT 1 och 2. Knapparna på fjärrkontrollen har samma funktion som knapparna på apparaten utom Tuner, se nedan. Varje knapp har en lysdiod som visar vilken ingång som valts.

PHONO Väljer skivspelaren som kopplats på MM eller MC ingången som aktiv ingång.

CD Väljer CD spelare (eller annan källa på linjenivå) som kopplats på CD ingången som aktiv ingång.

VIDEO Väljer den videoljudkälla (eller annan källa på linjenivå) som kopplats på VIDEO ingången som aktiv ingång.

AUX Väljer den källa på linjenivå som kopplats på AUX ingången som aktiv ingång.

TUNER Väljer radiodelen (eller annan källa på linjenivå) som kopplats på Tuner ingången som aktiv ingång. Fjärrkontrollen har separata knappar för AM och FM. Oavsett vilken av dessa man trycker väljs Tuner som aktiv ingång.

TAPE 2 Väljer TAPE 2 som aktiv ingång.

TAPE 1 Monitor Väljer utgången på en ansluten bandspelare när man spelar upp band eller monitorlyssnar på en inspelning som görs via TAPE 1 ingången. Tryck på Tape 1 knappen en gång för att välja den och en gång till för koppla ur.

Tape 1 är en monitoringång som inte påverkar vilken källa som valts.

Till exempel om man valt CD som aktiv ingång när man trycker in Tape 1, kommer CD fortfarande att vara aktiv och skickas till både Tape 1 och Tape 2 utgångarna. Ljudet ut i högtalarna är det som kommer från TAPE 1 ingångarna.

Förutom den orange lysdioden för TAPE 1 kommer lysdioden för signalkällan att lysa för att visa vilken ingång som är aktiv i monitorläget.

TÄNK PÅ ATT...

Fjärrkontrollen som följer med C162 är en universal NAD fjärrkontroll. Det innebär att den kan styra flera olika NAD modeller och att vissa knappar inte används. På NAD C162 används inte knapparna VIDEO 2 och VIDEO 3.

6. BAS & DISKANTKONTROLLER.

NAD C162 är utrustad med bas och diskantkontroller för att man skall kunna justera klangbalansen.

När kontrollen står rakt upp (klockan 12) påverkas signalen inte, ett klickläge visar att den står i mitten. Om basen eller diskanten skall ökas, skall reglaget vridas medsols, om ni vill minska skall reglaget vridas motsols.

Bas och diskantkontrollerna påverkar inte vid inspelning via tape utgångarna.

7. TONE DEFEAT.

Knappen märkt TONE DEFEAT gör att tonkontrollerna kopplas förbi på NAD C162. Om man normalt inte använder tonkontrollerna rekommenderar vi att man kopplar förbi dem med denna knapp. I intryckt läge går signalen förbi tonkontrollerna. Om knappen inte är intryckt passerar signalen tonkontrollerna och kan regleras.

8. BALANSKONTROLL.

Balanskontrollen justerar den relativa nivån mellan höger och vänster kanal.

Mittläget ("klockan 12") ger lika nivå i höger och vänster kanal. Ett klickmärke visar vad som är mittläge. För att reglera balansen, vrid kontrollen åt det hållet ökad styrka önskas. Balanskontrollen påverkar inte inspelningar som görs via tape utgångarna.

9. VOLYM.

Volymkontrollen justerar styrkan på den signal som matas till PRE OUT 1 och 2.

Volymkontrollen är motordriven och kan styras från fjärrkontrollen. Inspe­lingar som görs via TAPE utgångarna påverkas inte.

På fjärrkontrollen kan man trycka på knappen märkt MUTE för att temporärt stänga av signalen till slutstegen. Detta läge indikeras av att lysdioden vid den valda signalkällan blinkar. Tryck på MUTE en gång till för att återställa ljudet. MUTE funktionen påverkar ej inspelningar som görs via Tape utgångarna.

FÖR ATT GÖRA EN INSPELNING.

När någon källa valts sänds dess signal även till de bandspelare som anslutits till TAPE 2 och 1 utgångarna för inspelning.

BANDKOPIERING.

Man kan kopiera band mellan två bandspelare anslutna till NAD C162. Sätt i källkassetten i bandspelaren ansluten till TAPE 2 och ett tomt band i bandspelaren ansluten till TAPE 1. Genom att välja TAPE 2 ingången kan man nu kopiera från TAPE 2 till TAPE 1 och lyssna på signalen från originalbandet.

FJÄRRKONTROLLEN.

Fjärrkontrollen till C162 styr apparatens alla viktiga funktioner och styr även vissa funktioner på NADs radiodelar, kassettdäck och CD spelare. Fjärrkontrollen når cirka 5m.

Batterifacket på baksidan av fjärrkontrollen rymmer två batterier av typ R03 (AAA). Vi rekommenderar att ni använder Alkaliska batterier för att de har den längsta livstiden och att de inte läcker. När ni byter batterier så försäkra dig om att de sätts i åt rätt håll så som visas i botten på batterifacket.

För en beskrivning av funktionerna hänvisar vi till de tidigare avsnitten i bruksanvisningen.

POWER ON/OFF KNAPPAR

Tryck på ON för att sätta på apparaten, Standby indikatorn på apparatens framsida ändrar färg från orange till grönt inom 2 sekunder, under tiden kommer CD indikatorn att blinka 4 gånger. Apparaten är nu klar att använda.

Tryck på OFF för att stänga av apparaten till standby-läge, Stand-by indikatorn ändrar färg från grönt till orange.

Ingångsväljarna för VIDEO 1 och VIDEO 3 och högtalaromkopplarna Speakers A och Speakers B på fjärrkontrollen används inte på C162.

VIDEO 2

Väljer den videoljudkälla (eller annan källa på linjenivå) som kopplats på VIDEO ingången som aktiv ingång.

TUNER

Väljer Tuner ingången på C162 och AM eller FM på en ansluten NAD radiodel som kan styras med fjärrkontroll.

MUTE

Tryck på MUTE knappen om ni vill stänga av ljudet temporärt. MUTE läget indikeras av att lysdioden vid den valda signalkällan blinkar. Tryck på MUTE igen för att få tillbaka ljudet. MUTE funktionen påverkar inte inspelningar som görs via Tape utgångarna.

MASTER VOLUME

▲ eller ▼ höjer respektive sänker den relativa ljudstyrkan. Den motoriserade volymkontrollen på apparatens framsida visar den inställda volymen.

Förutom kommandona som direkt relaterar till funktionerna på C162 finns det andra knappar för att styra de flesta NAD CD spelare, radiodelar och kassettdäck utrustade med NAD-Link:

STYRFUNKTIONER FÖR EN NAD RADIODEL.

TUNE ◀ eller ▶ söker neråt respektive uppåt på FM och AM bandet. PRESET ▲ eller ▼ väljer snabbval av förinställda radiostationer.

STYRFUNKTIONER FÖR EN NAD CD-SPELARE.

- || Pausar avspelning
- Stoppar avspelning
- ▶ Startar avspelning eller växlar mellan avspelning och pausläge
- ▶▶ or ◀◀ hoppar fram respektive tillbaka bland spåren på skivan.

STYRFUNKTIONER FÖR NAD KASSETTDÄCK

(B för enkeldäck, A & B för dubbeldäck).

- ◀ eller ▶ Startar avspelning eller reverserad avspelning.
- Stoppar avspelning eller inspelning.
- ◀◀ Snabbspolning bakåt.
- ▶▶ Snabbspolning framåt.

TÄNK PÅ ATT...

Starkt solljus eller inbelysning riktad mot apparaten kan påverka fjärrkontrollens funktion.

BI-AMPING

En del högtalare har separata anslutningar för lågfrekvensdelen (basen) och högfrekvens delen (vanligen både mellanregister och diskant). Denna funktion möjliggör att man kan koppla högtalarna i så kallad "bi-amping" dvs. att man driver respektive del med var sin förstärkare, vilket kan ge en bättre ljudkvalitet.

NAD C162 har två par utgångar från förstärkaren (PRE OUT 1 & 2) för att underlätta inkoppling av två stycken slutsteg. Man kan även justera nivån mellan de två utgångarna så att man lättare skall kunna matcha två slutsteg med olika ingångskänslighet och förstärkning så att de får samma utnivå för varje given volyminställning.

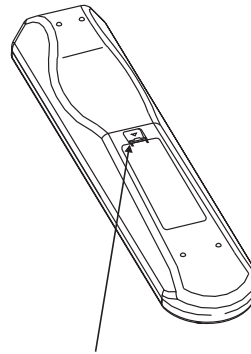
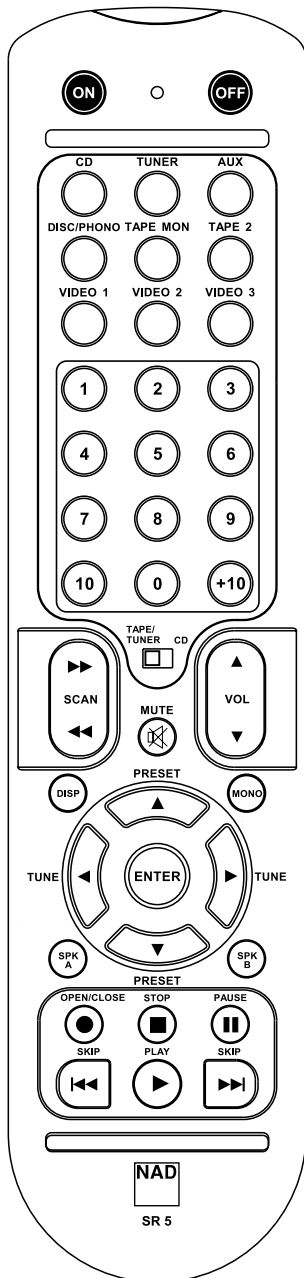
Innan ni kopplar in två slutsteg bör ni klargöra vilket av de två stegen som har den högsta förstärkningsfaktorn (det behöver inte vara den med högst uteffekt). Detta gör man genom att spela på dem på samma volyminställning och på samma högtalare. Den förstärkare som spelar högst i denna kombinationen har högst förstärkning och skall kopplas till PRE OUT 2 (nr. 12) och den andra kopplas till PRE OUT 1 (nr.11).

Utgå från maxnivån (0dB) och använd VOLUME PRE OUT 2 ratten (nr.13) för att sänka nivån på PRE OUT 2 så att bägge slutstegen spelar med samma nivå.

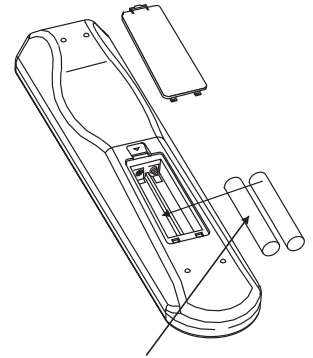
FELSÖKNING

PROBLEM	ORSAK	LÖSNING
INGET LJUD	<ul style="list-style-type: none">Nätsladden ej inkopplad eller apparaten ej påslagenTape 1 Monitor inkoppladMute påslagenEffektförstärkaren ej påslagenHörlurar inkopplade	<ul style="list-style-type: none">Kontrollera nätsladden och att apparaten är påslagenKoppla ur Tape 1 MonitorKoppla bort MuteSätt på effektförstärkarenKoppla ur hörlurarna
INGET LJUD I ENA KANALEN	<ul style="list-style-type: none">Balansen står inte i mittlägetSignalkabeln till slutsteget är inte rätt ansluten eller skadadSignalkablarna urkopplade eller skadade	<ul style="list-style-type: none">Centrera balansenKontrollera anslutningen och kabelnKontrollera signalkablarna och anslutningarna
PROBLEM MED PHONOINGÅNGEN	<ul style="list-style-type: none">Ingen signalBrum på ingångenSvag eller förvrängd signal	<ul style="list-style-type: none">Kontrollera MM/MC omkopplaren.Kontrollera jordförbindelsen till skivspelarenKontrollera om signalkabeln är ansluten till rätt MM/MC ingång.
FJÄRRKONTROLLEN FUNGERAR EJ	<ul style="list-style-type: none">Batterierna slut, eller felaktigt isattaIR sändaren eller mottagaren skymdaIR mottagaren utsatt för direkt solljus eller stark	<ul style="list-style-type: none">Kontrollera eller byt batteriernaFlytta hindretFlytta apparaten så att den inte står i solen, ändra belysningen

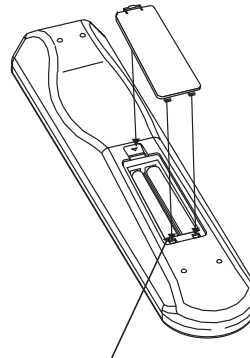
FJÄRRKONTROLLEN



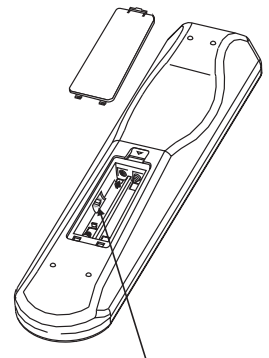
TRYCK IN FLIKEN OCH LYFT FÖR ATT TA BORT BATTERILUCKAN



PLACERA BATTERIERNAS I ÖPPNINGEN. SE TILL ATT DE PLACERAS ÅT RÄTT HÅLL



SÄTT TILLBAKA BATTERILUCKAN, SE TILL ATT DEN STÄNGS MED ETT KLICK



DEV.1 & DEV.2



www.NADelectronics.com

**©2003 NAD ELECTRONICS INTERNATIONAL
A DIVISION OF LENBROOK INDUSTRIES LIMITED**

All rights reserved. No part of this publication may be reproduced, stored or transmitted in any form without the written permission of NAD Electronics International

C 162 Manual 11/03